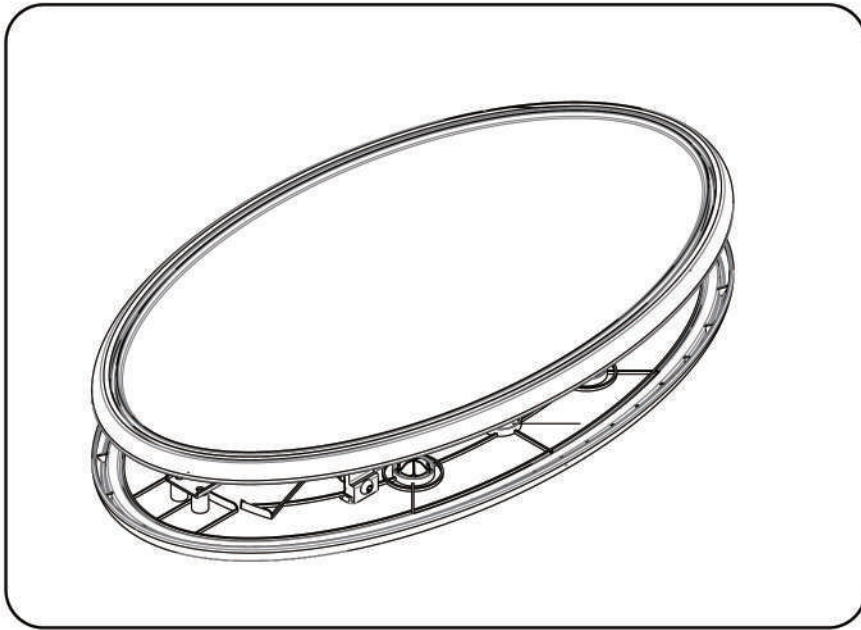
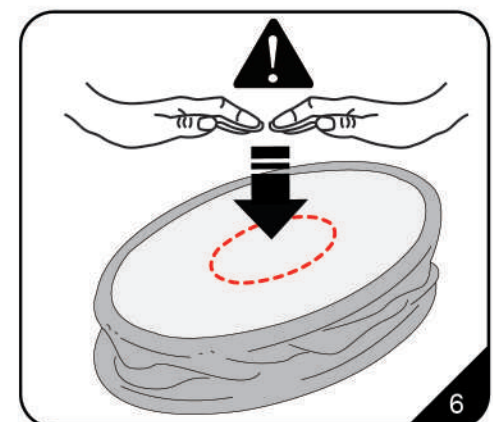
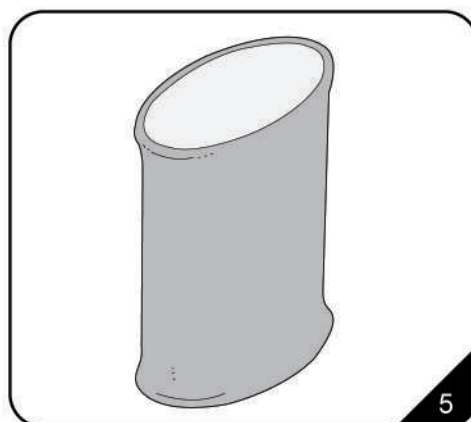
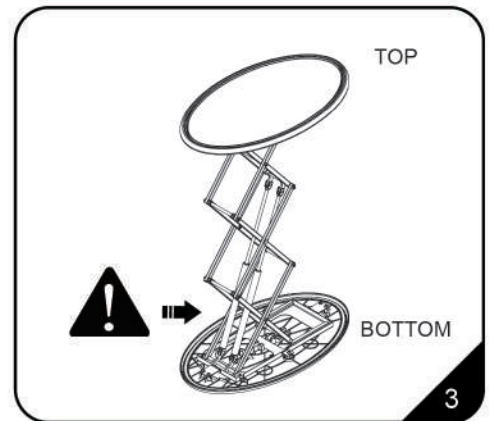
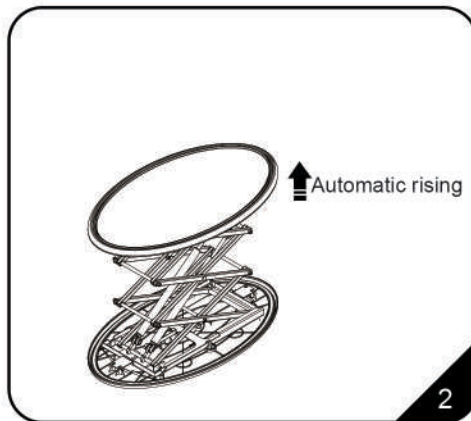
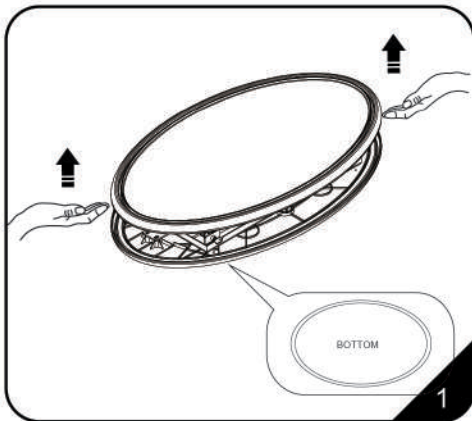
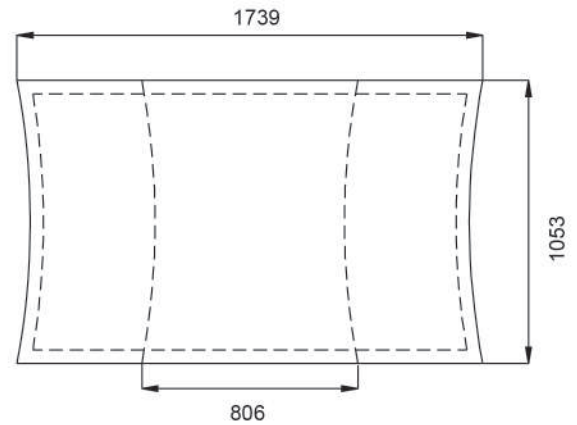


INSTALLATION STEPS 3D-99AS

Modern appearance, high quality, practical, flexible for multiple uses Carry Cases and Spotlights are available as accessories Fast and easy to alter graphics



Graphic Size : 1739X970mm



CAUTION:
PLEASE READ THE INSTRUCTIONS BEFORE INSTALLING PRODUCT