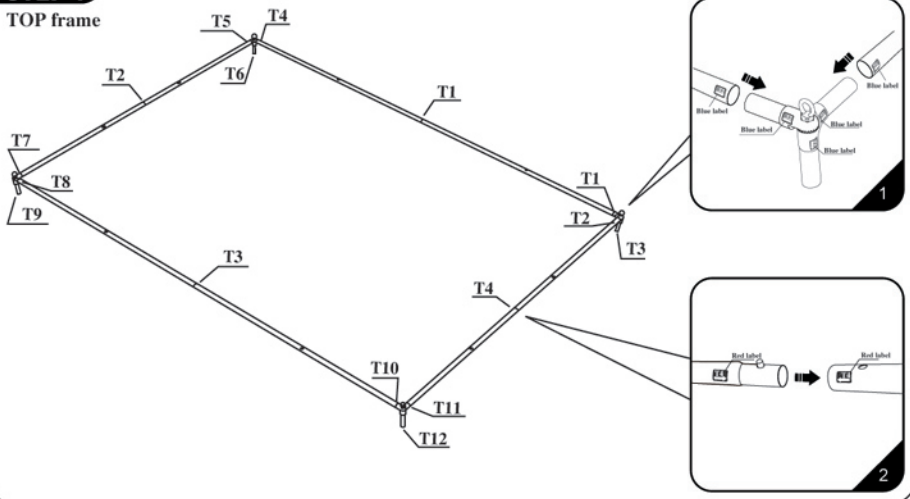


INSTALLATION STEPS

Modern appearance, high quality, practical, flexible for multiple uses Carry Cases and Spotlights are available as accessories Fast and easy to alter graphics

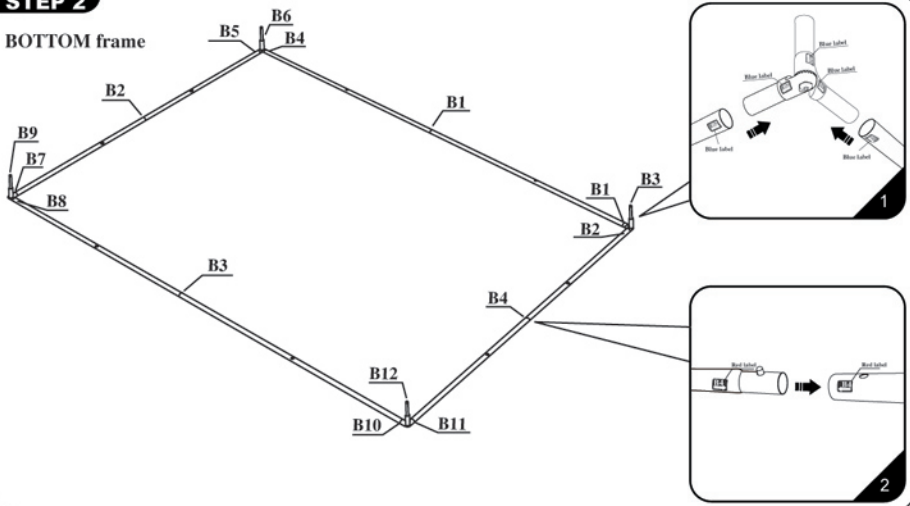
STEP 1

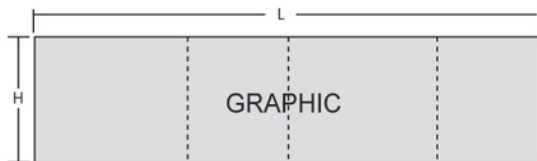
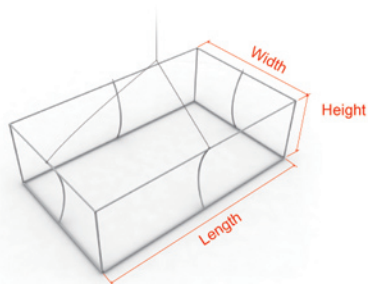
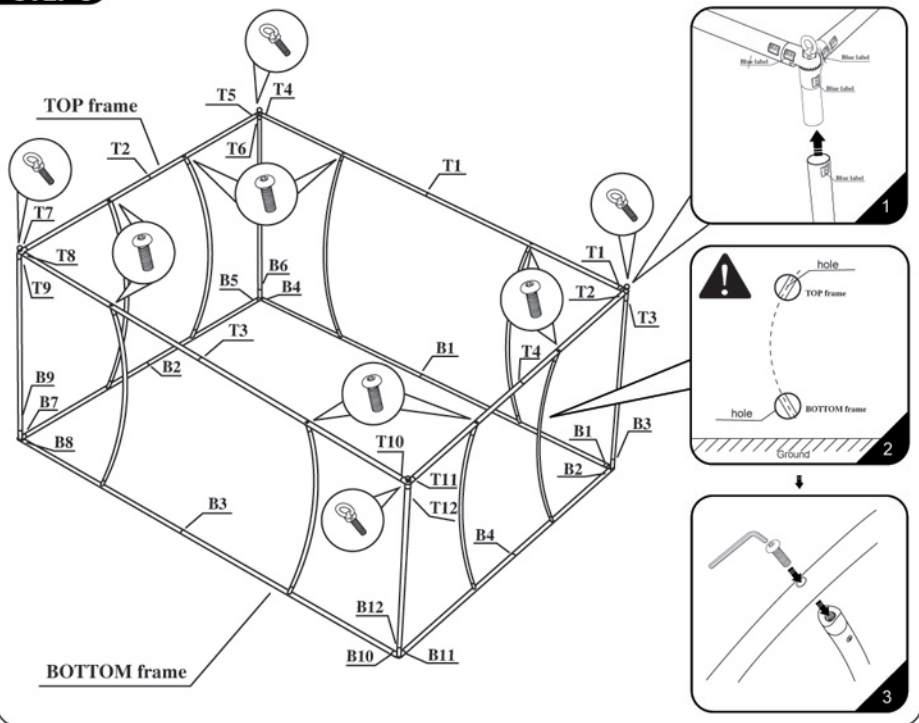
TOP frame



STEP 2

BOTTOM frame



STEP 3

Frame Size:
20'(6096mm).L x 10'(3048mm).W x 4'(1219mm).H

Graphic Size:
18288mm.L X 1219mm.H



CAUTION:
PLEASE READ THE INSTRUCTIONS BEFORE INSTALLING PRODUCT