

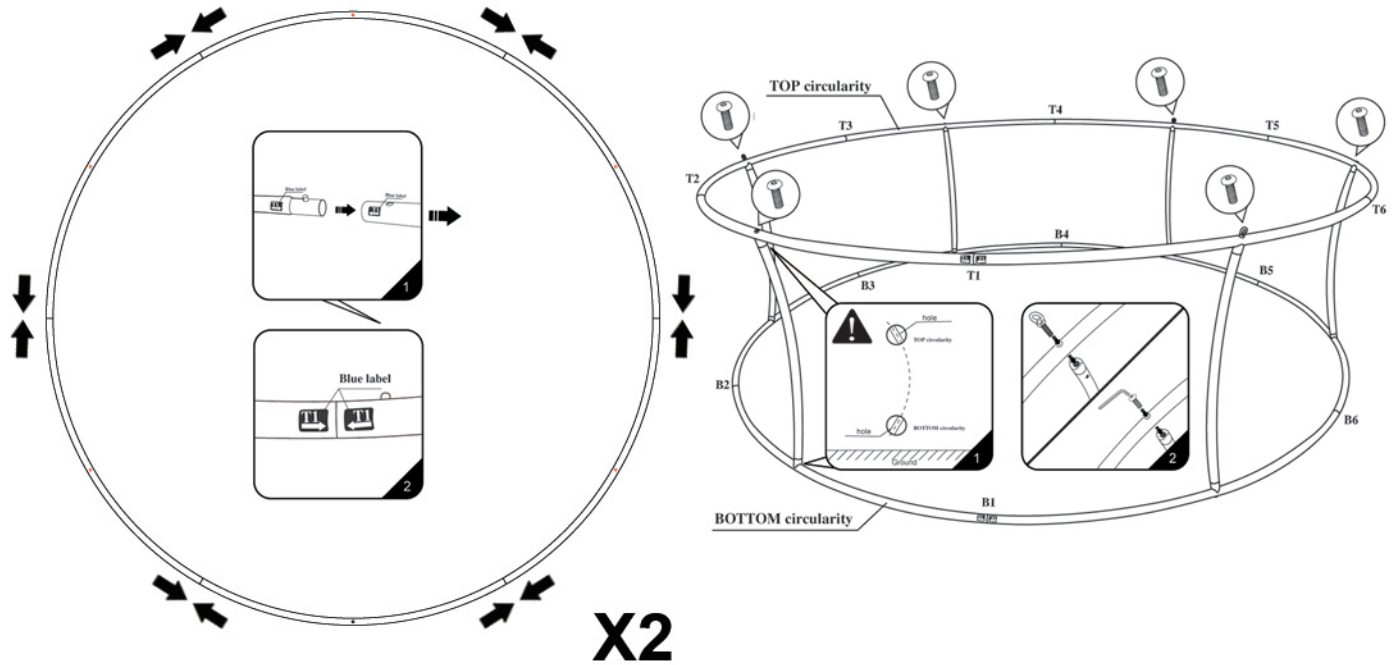
# INSTALLATION STEPS

## 3D-L2-d-001

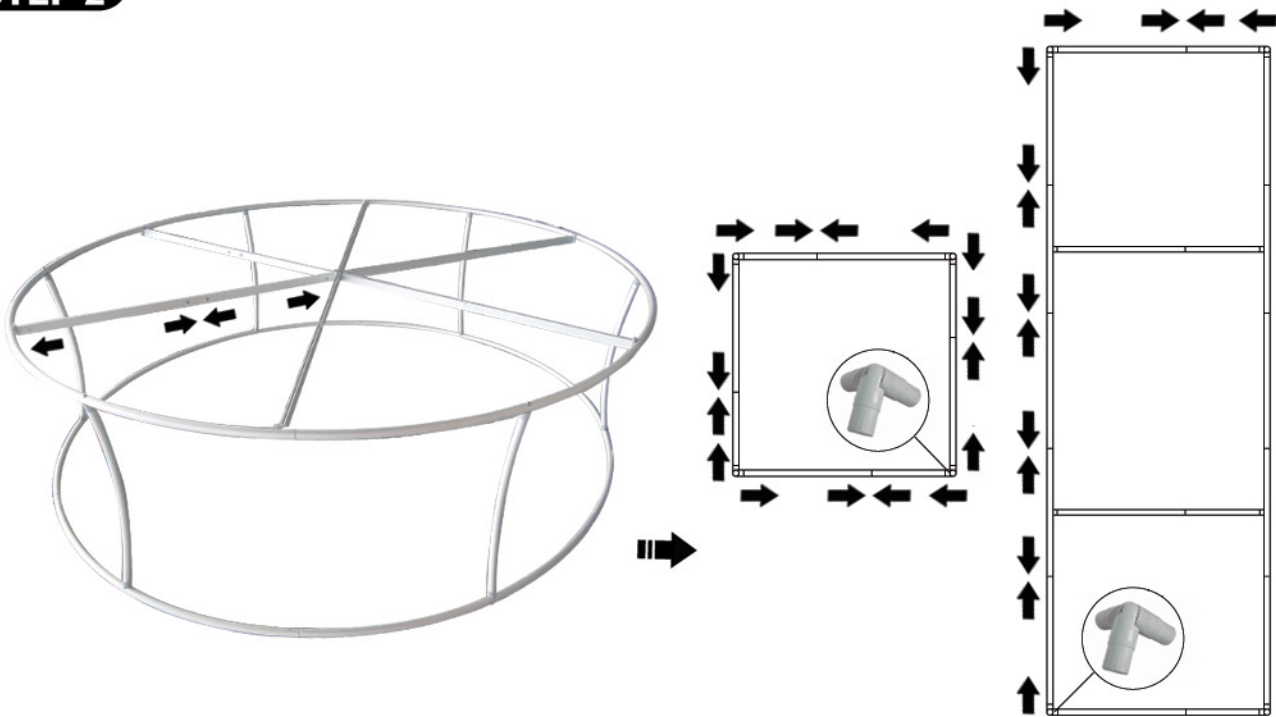
Modern appearance, high quality, practical, flexible for multiple uses Carry Cases and Spotlights are available as accessories Fast and easy to alter graphics

### STEP 1

TOP circularity / BOTTOM circularity



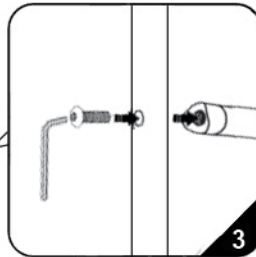
### STEP 2



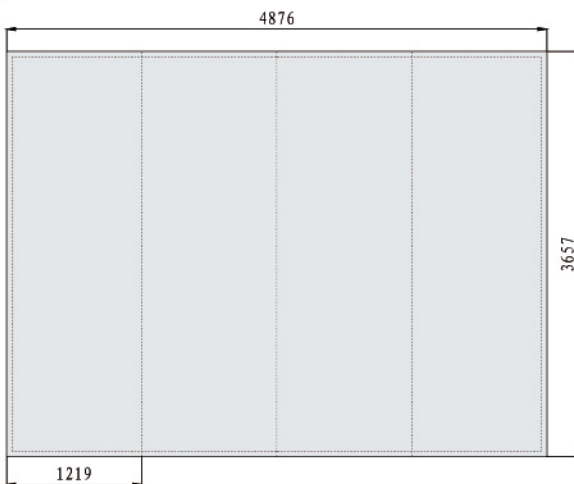
NEXT PAGE

# 3D-L2-d-001

## STEP 3



Frame Size: 3048mmDX 914mmH    1219mmLX W1219mmW X3657mmH



Graphic Size: 9570mmLX 914mmH    4876mmLX 3657mmH



**CAUTION:**  
PLEASE READ THE INSTRUCTIONS BEFORE INSTALLING PRODUCT