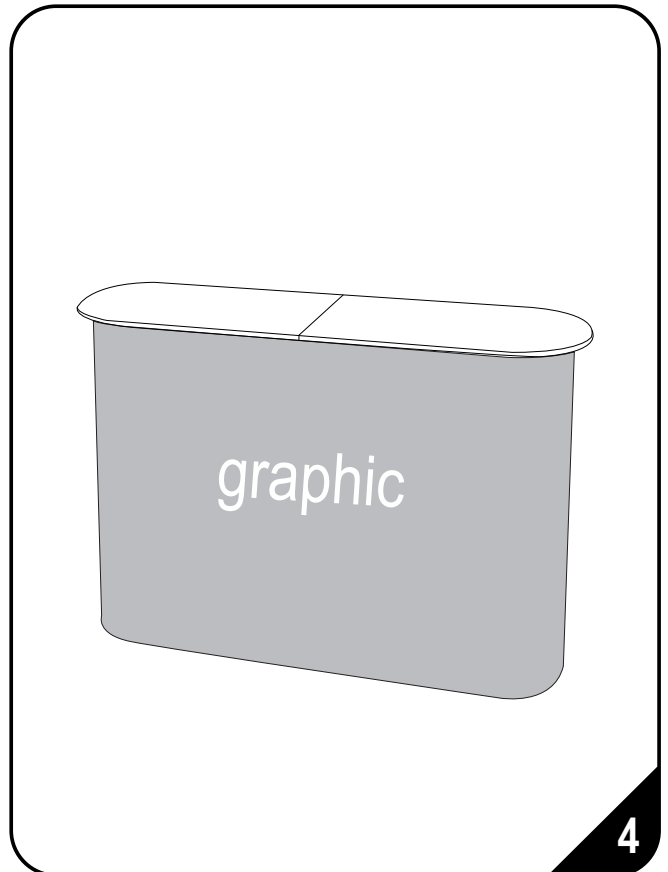
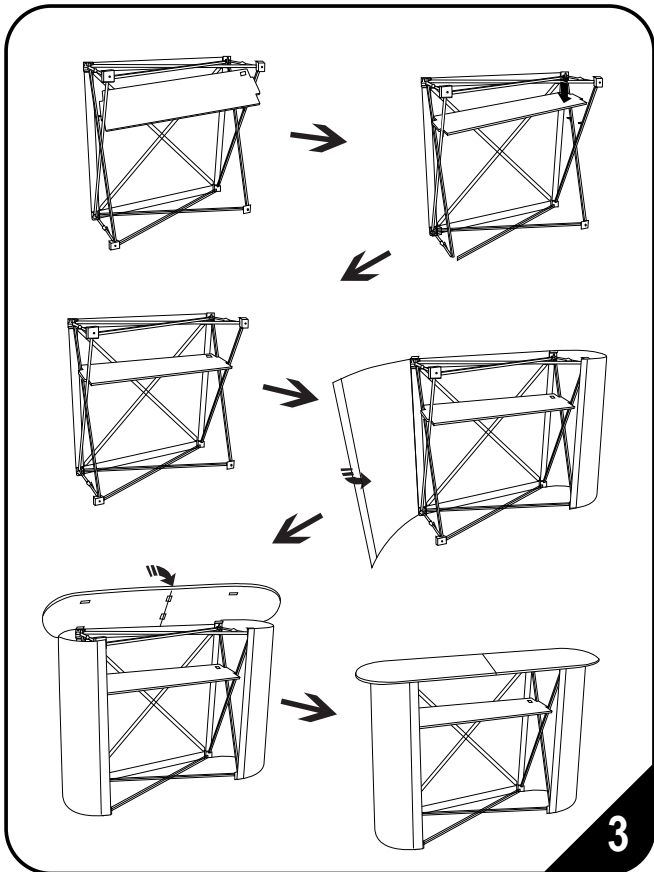
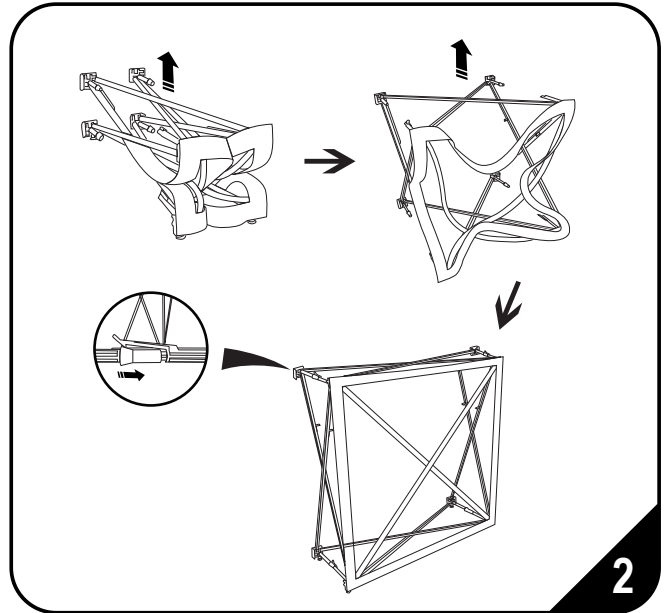
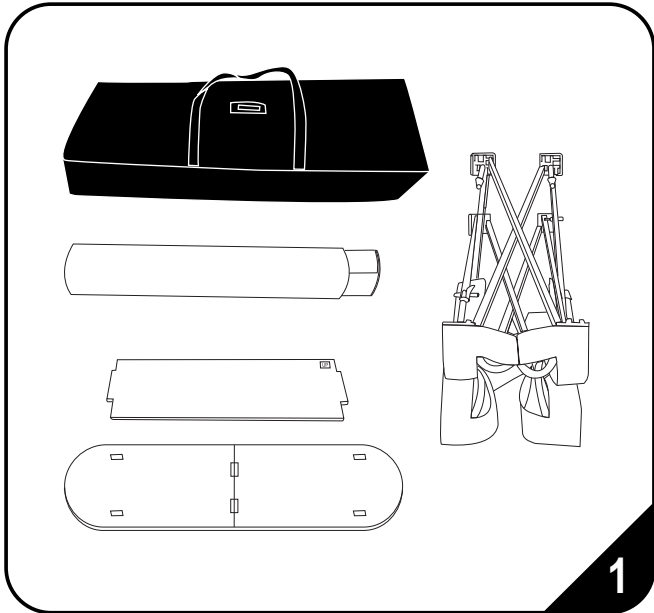


# INSTALLATION STEPS III

## K-10D2



**CAUTION:**  
PLEASE READ THE INSTRUCTIONS BEFORE INSTALLING PRODUCT