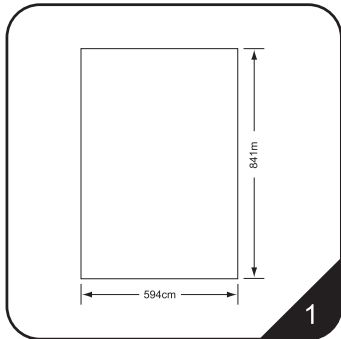
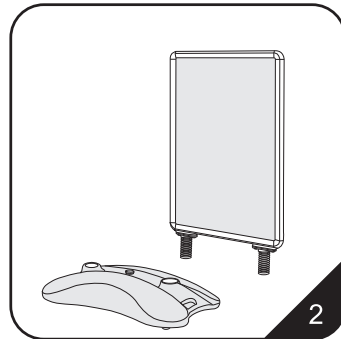


INSTALLATION STEPS 10.09

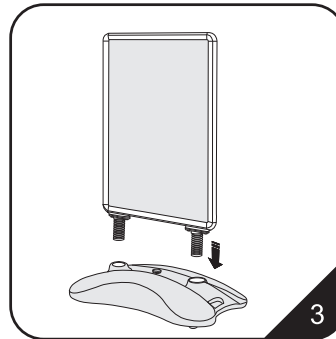
**THIS INSTRUCTION BASED ON C-15B,
CAN BE APPLIED INTO C-15A , C-15B AND C-15B-A.**



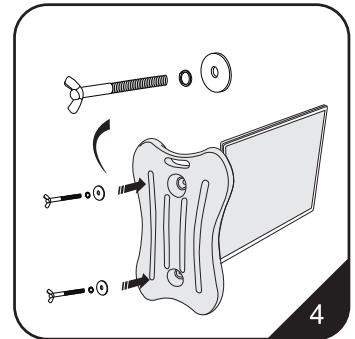
1.The poster size is 594mm wide × 841mm high.



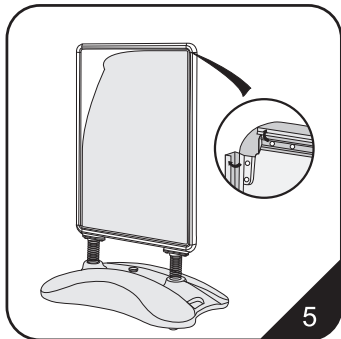
2.The carton will contain a water-fill base and a poster frame.



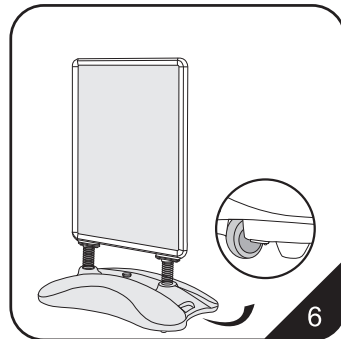
3.Insert the legs of the poster frame into the holes of the water-fill base.



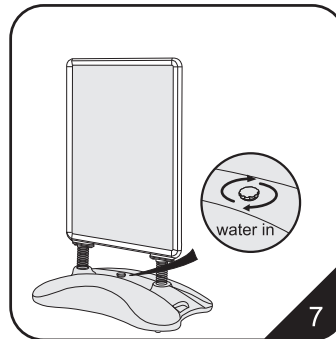
4.Resting the poster frame on the ground, use the fixings shown to attach the water-fill base to the poster frame.



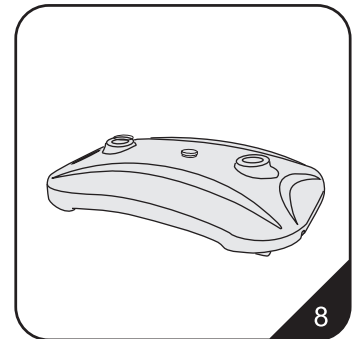
5.Open the poster frame sides and remove the poster cover.



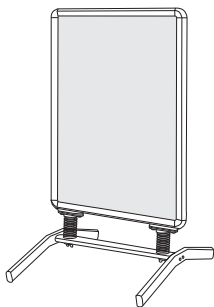
6.Place the poster behind the poster cover and refit.The sign is ready to be moved.



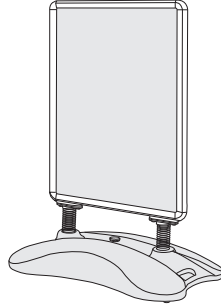
7.Please put water or sand in the base.



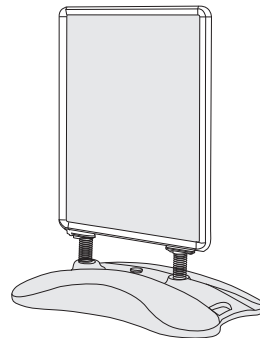
8.New base unit optional



C-15A

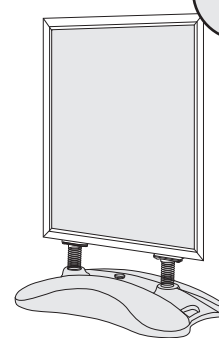


C-15B

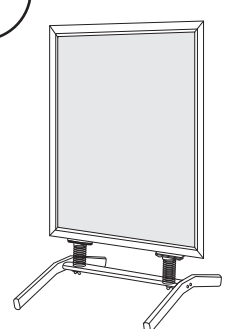


C-15B

(The poster size is 700x1000mm and 841x1189mm)



C-15B-A



C-15A-A

Model	Type	Graphic Size	Net Weight	Package	Gross Weight	Outer Carton Size	Measurement	Color
C-15A	Double	84.1x118.9cm(A0)	13.9kg	1pc	18.9kg	138x26x92cm	0.330m ³	SL
		59.4x84.1cm(A1)	11.8kg		15.3kg	67x22x103cm	0.152m ³	GREY
		70x100cm	13.1kg		17.1kg	118x25x77cm	0.227m ³	
C-15B/ C-15B-A	Double	84.1x118.9cm(A0)	14.0kg	1pc	19.0kg	138x26x92cm	0.330m ³	SL
		59.4x84.1cm(A1)	11.8kg		15.3kg	67x22x103cm	0.152m ³	GREY
		70x100cm	13.8kg		17.8kg	118x25x77cm	0.227m ³	
C-15A-A								

NEXT PAGE



**CAUTION:
PLEASE READ THE INSTRUCTIONS BEFORE INSTALLING PRODUCTS**