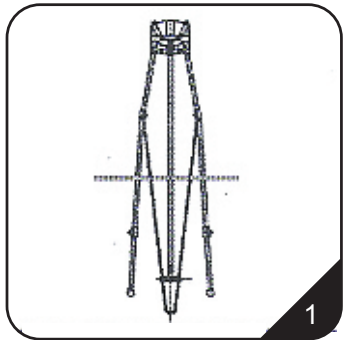
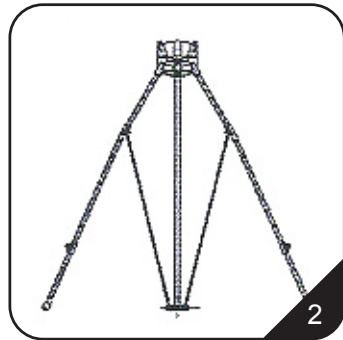


# Installation Steps **C-X-C**

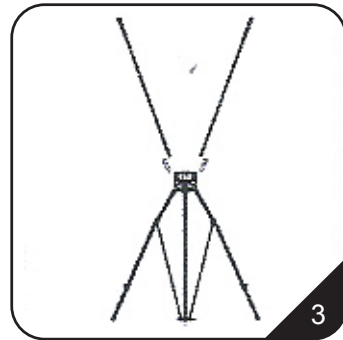
Modern appearance, high quality, practical, flexible for multiple uses Carry Cases and Spotlights are available as accessories Fast and easy to alter graphics



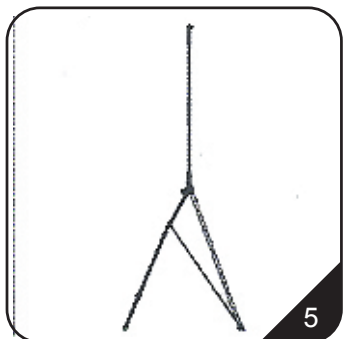
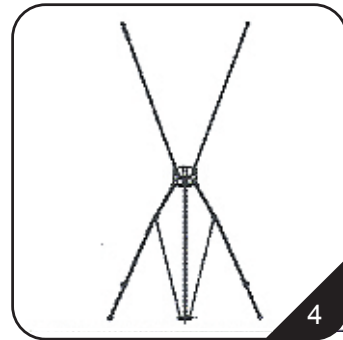
1. Take out the major part of YC-X-C.



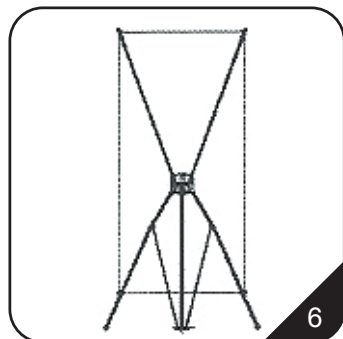
2. Unfold the feet on floor.



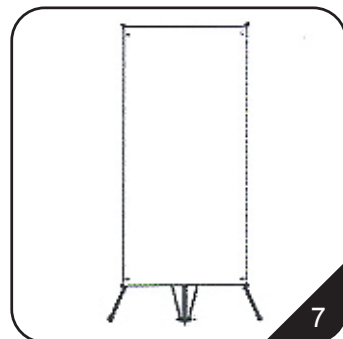
3. Plug two elastic sticks into two holes on the pole connection.



5. The side view.



6. Fix the picture on the stand.



7. Complete installation.

