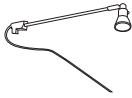


INSTALLATION STEPS 10.09

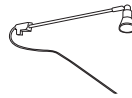
C-L1 L4

Modern appearance, stable quality, practicability & multiformity
Package and spotlight are available as accessories

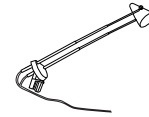
Optional accessories



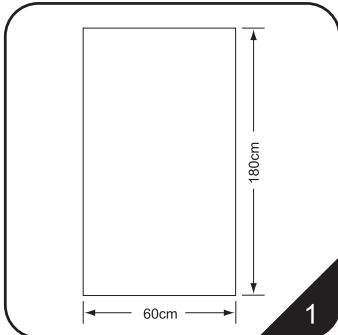
C-D1/D2
 Voltage: 110V/220V
 CE certified.
 Fit for all models.
 Color: Black / Silver



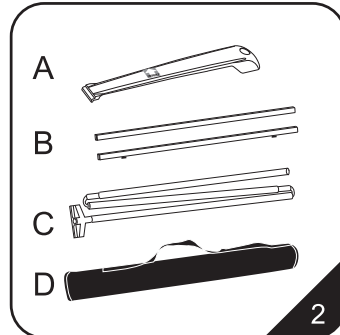
C-D1-LED/C-D2-LED
 Voltage: 110V/220V
 CE certified.
 Fit for all models.
 Color: Black / Silver



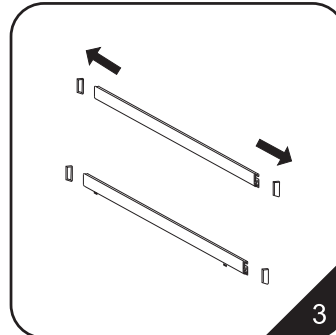
C-D11/D12
 Fit for all models.
 Color: Black / Silver



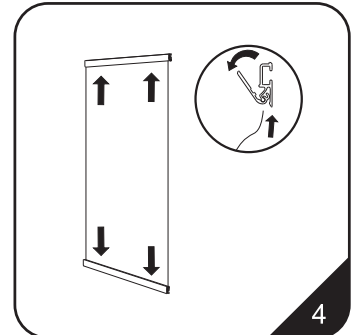
1. The overall graphic is 60cm (wide) and 180cm (high).



2. The case should contain:
 Installation instruction
 A. a base unit B. 2 pieces of clip bar
 C. three piece pole D. package



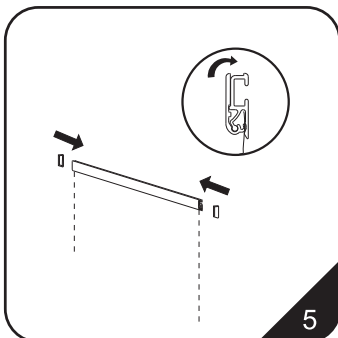
3. Remove the plastic end caps from the clip bar.



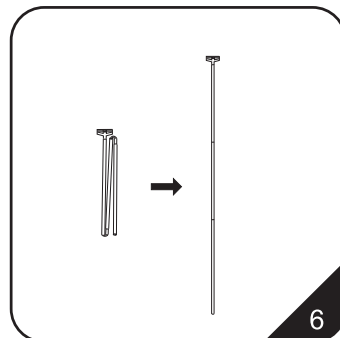
4. Open the clip snap bar then insert both edge of the graphic.

! Our size in the Manual is just a reference. Please make the graphic according to your actual purchased size.

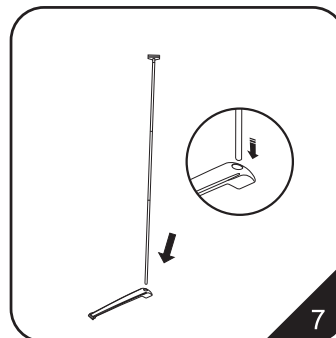
! The graphic thickness should be 0.2mm~ 0.4mm. Double layers for thin material.



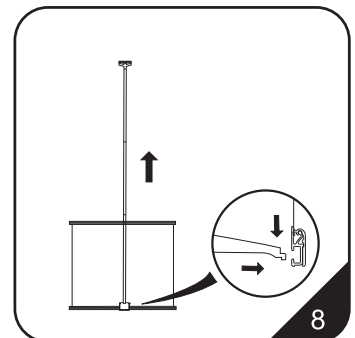
5. Close the clip bar lips to secure the graphic. Finish the top by re-attaching the plastic end caps.



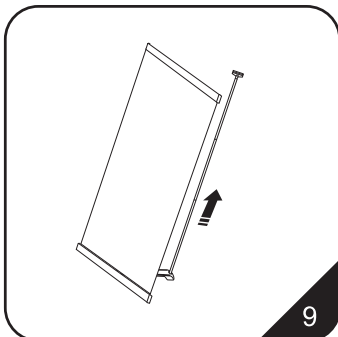
6. Unfold the pole and slip the pieces together to assemble it to a rigid pole.



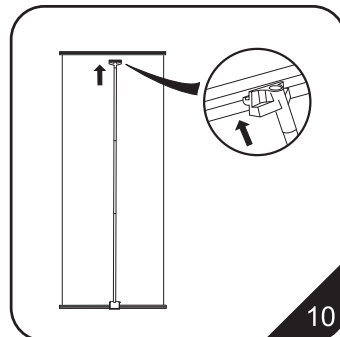
7. Insert the assembled pole into the base hole.



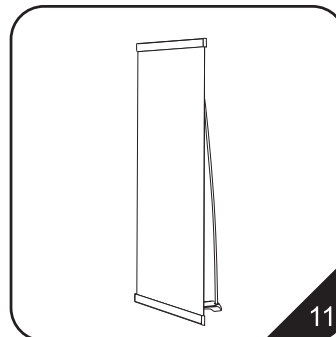
8. Assemble the bottom rails to the foot.



9. Pull the graphic completely.



10. The plastic holder at the top of pole slips into the rear slot of the banner beam. A marker on the beam indicated the beam's centre where the pole should be inserted.



11. Completed.

NEXT PAGE



CAUTION:
PLEASE READ THE INSTRUCTIONS BEFORE INSTALLING PRODUCTS