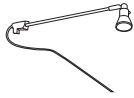


# INSTALLATION STEPS 10.09

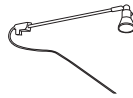
## C-L5

Modern appearance, stable quality, practicability & multiformity  
Package and spotlight are available as accessories

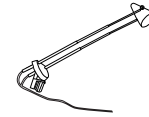
### Optional accessories



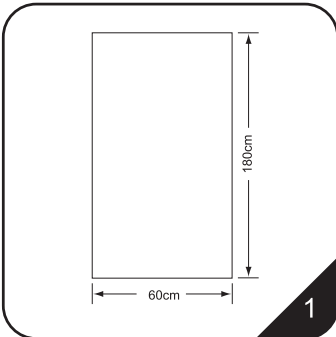
C-D1/D2  
Voltage: 110V/220V  
CE certified.  
Fit for all models.  
Color: Black / Silver



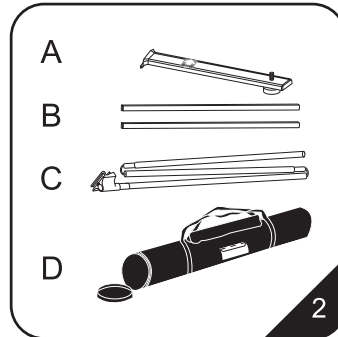
C-D1-LED/C-D2-LED  
Voltage: 110V/220V  
CE certified.  
Fit for all models.  
Color: Black / Silver



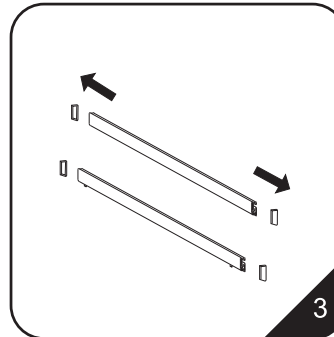
C-D11/D12  
Fit for all models.  
Color: Black / Silver



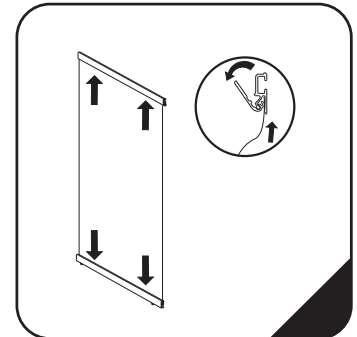
1. The overall graphic is 60cm (wide) and 180cm (high).



2. The case should contain:  
Installation instruction  
A. a base unit B. 2 pieces of clip bar  
C. three piece pole D. package



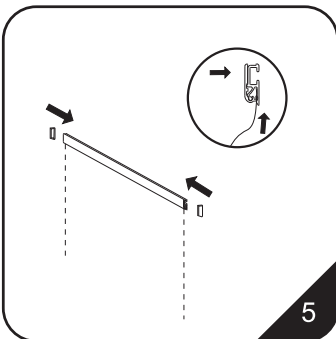
3. Remove the plastic end caps from the top clip bar.



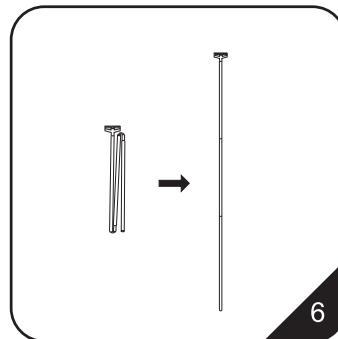
4. Open the clip bar then assemble the graphic.

**!** Our size in the Manual is just a reference.  
Please make the graphic according to your actual purchased size.

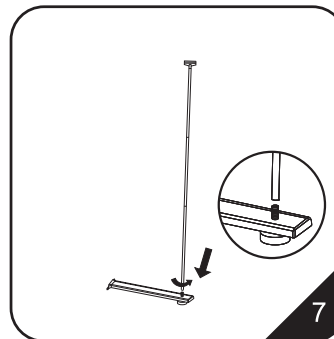
**!** The graphic thickness should be 0.2mm - 0.4mm. Double layers for thin material.



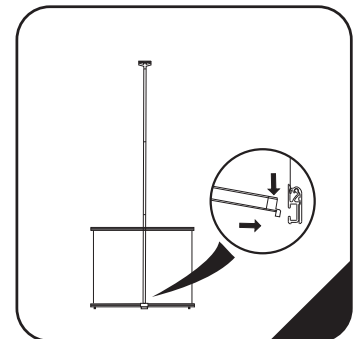
5. Close the clip bar lips to secure the graphic. Finish the top by re-attaching the plastic end caps.



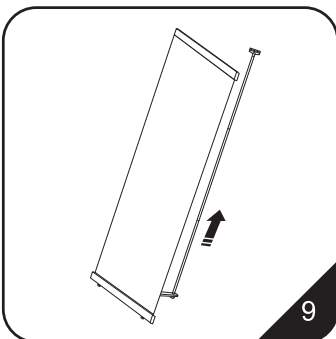
6. Unfold the pole and slip the pieces together to assemble it to a rigid pole.



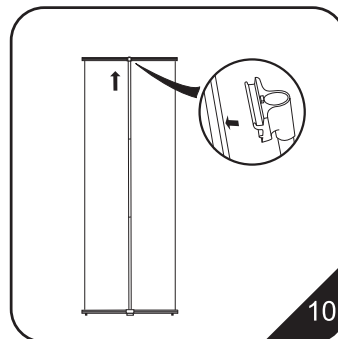
7. Insert the 3-piece poles into the hole of the base, then fix the other end of the base unit. Connect the two basic unit with a pole.



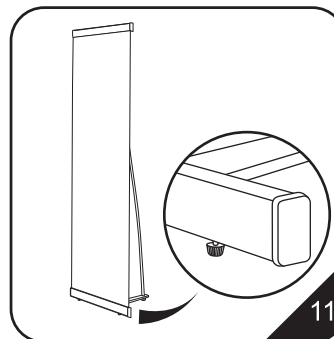
8. Take fix of the bottom pole with the special unit then spread the graphic to the top of the 3 piece pole.



9. Pull the graphic completely.



10. The plastic holder at the top of pole slips into the rear slot of the banner beam. A marker on the beam indicated the beam's centre where the pole should be inserted.



11. The unit can be leveled by adjusting the threaded feet at the bottom of the base unit.

**NEXT PAGE**



**CAUTION:**  
PLEASE READ THE INSTRUCTIONS BEFORE INSTALLING PRODUCTS