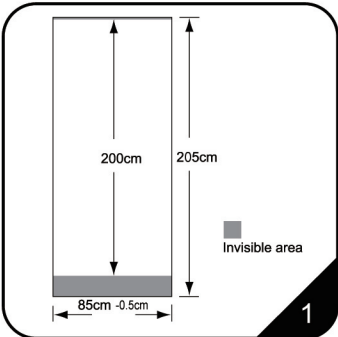


# INSTALLATION STEPS

09. 03

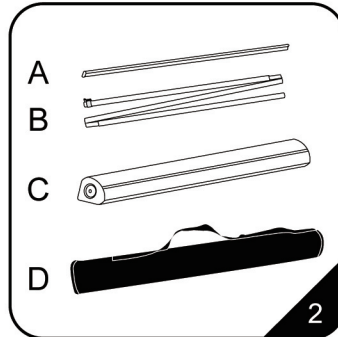
# C-3C

**Modern appearance, high quality, practical, flexible for multiple uses. Carry cases and spotlights are available as accessories. Fast and easy to alter graphics.**



1. The overall width of stand is 85cm or 100cm, height is 215cm, the visible graphic height is 200cm.

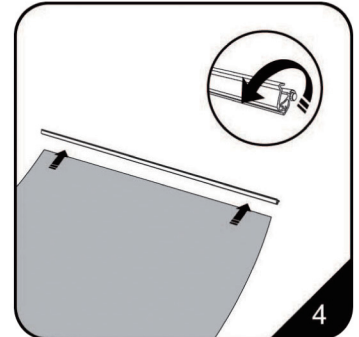
**⚠ Our size in the manual is just a reference. Please make the graphic according to your actual purchased size.**



2. The case should contain:  
Installation instruction  
A. Top bar B. 3-piece pole  
C. A base unit D. Black bag

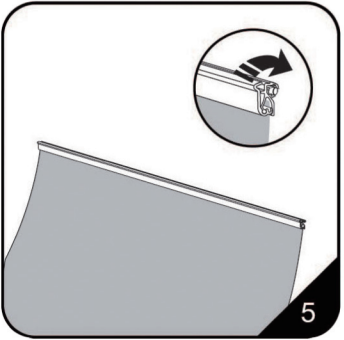


3. Remove the plastic end caps from the top clip bar.

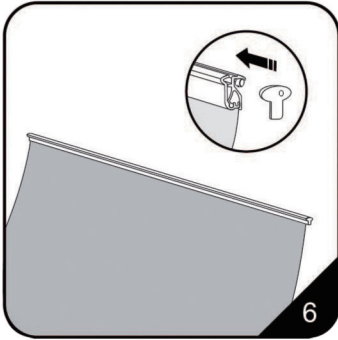


4. Open the top clip bar then insert the top edge of the graphic.

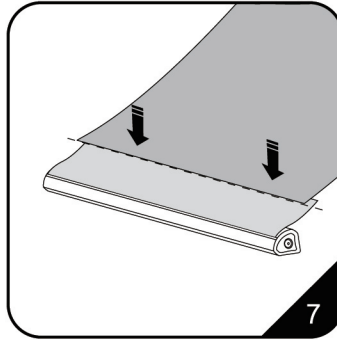
**⚠ The graphic thickness should be 0.2mm~0.4mm. Double layers for thin material.**



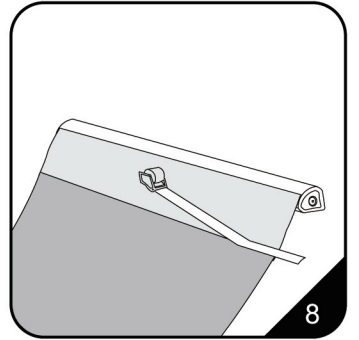
5. Close the clip bar lips to secure the graphic.



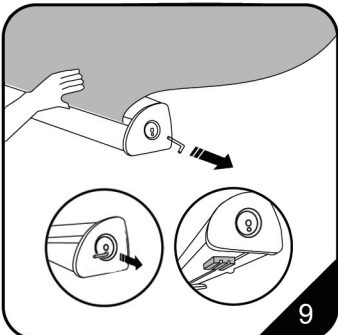
6. Finish the top by re-attaching the plastic end caps.



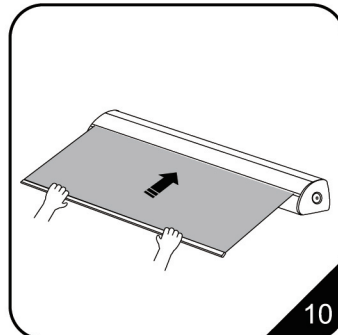
7. Peel off the adhesive paper along the edge of the base's leader roll and attach the bottom of the graphic. Make sure the graphic is straight.



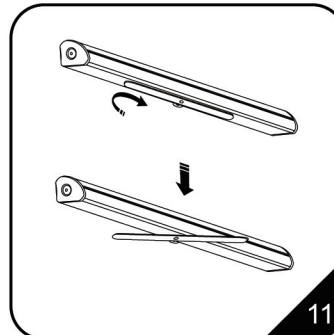
8. Secure the graphic to the leader with a transparent adhesive tape at least 4cm wide both sides.



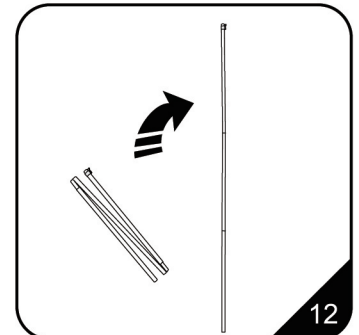
9. With the graphic held firmly, carefully pull the pin.



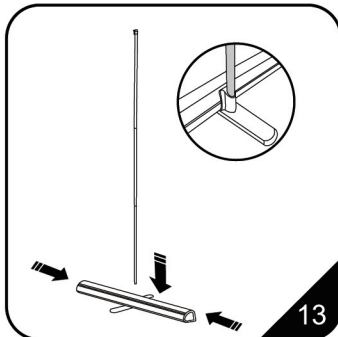
10. Carefully allow the graphic to recoil into the base unit.



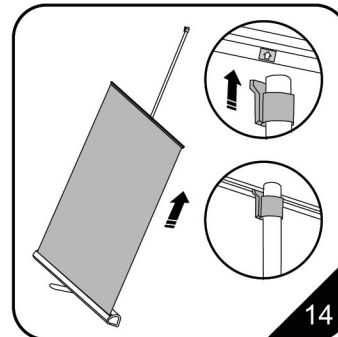
11. Swing the two feet by 90°.



12. The hooked end corresponds to the top and the round end belongs to the bottom base.

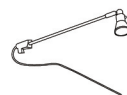


13. Insert the assembled pole into the base hole.

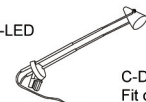


14. Hold the pole firmly and unroll the graphic out of the base unit. The hook at the top of the pole slips into the rear slot of the graphic.

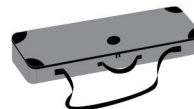
## Optional accessories



C-D1/D2/C-D1-LED/C-D2-LED  
Voltage: 110V/220V  
CE certified.  
Fit on all models.  
Color: Silver / Black



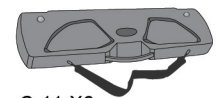
C-D11/D12  
Fit on all models.  
Color: Silver / Black



C-11-X5  
This carry case is able to store all models.



C-11-X10  
This carry case is able to store all models.



C-11-X6  
Color: Grey / Black / Blue  
Attention: fit for graphic size 85cm or less



**CAUTION: PLEASE READ THE INSTRUCTIONS BEFORE INSTALLING PRODUCTS**