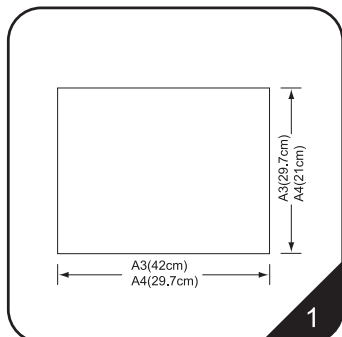
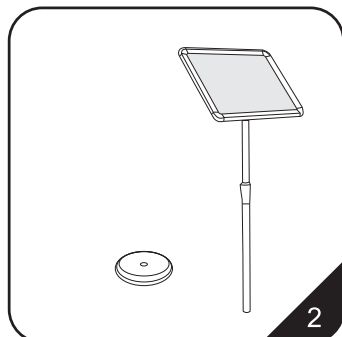


Installation Steps 10.09

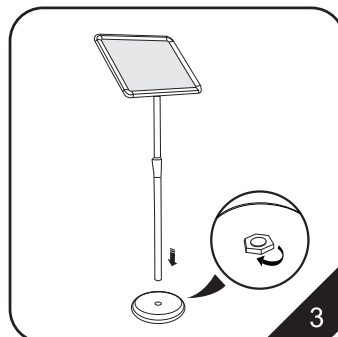
**THIS INSTRUCTION BASED ON C-12A,
CAN BE APPLIED INTO C-12C.**



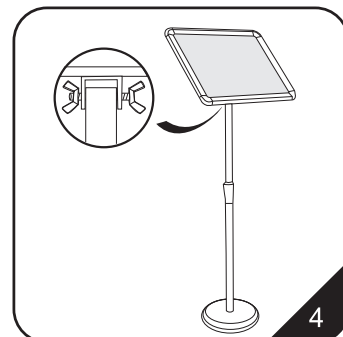
1.The roll is 29.7cm wide and 21cm high.



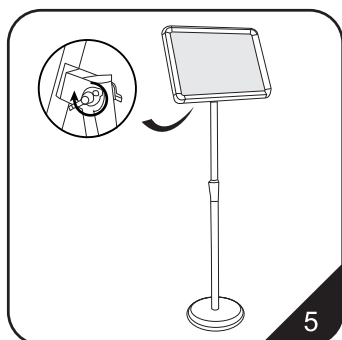
2.The case should contain 1 board,1 pole and 1 base unit.



3.Insert the pole into the hole then circle the nut to make it tightly, as the pic showing.



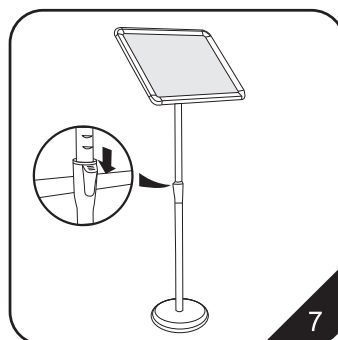
4.Connect the board together with the pole by the screw.



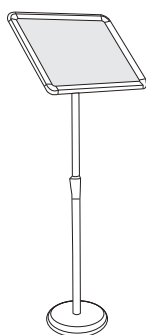
5.Adjusting the screw to coordinate the angle of the board against the pole.



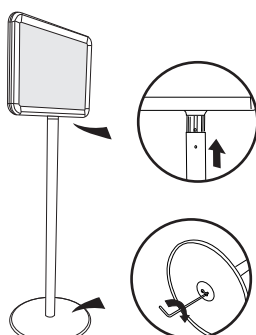
6.Turn the joint parts back and open four rails of the profile, then place the graphic with the plastic board above, then close four rails to fix the graphic.



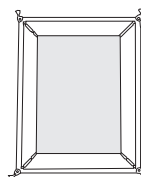
7.Pressing the bottom in the middle of the pole to adjust the height.



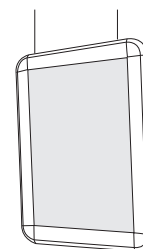
C-12A



C-12C



C-16



C-12

The graphic size could be A0,A1,A2 or A3,A4

SPECIFICATIONS

Model	Type	Graphic Size	Net Weight	Package	Gross Weight	Outer Carton Size	Measurement	Color
C-12	A3(A4)	29.7x42cm 21x29.7cm	kg	10pcs	kg	21x38x50cm	0.039m ³	SL
C-12A	A3(A4)	29.7x42cm 21x29.7cm	kg	1pcs	kg	8x48x88cm	0.034m ³	SL
C-12C(double)	A3(A4)	29.7x42cm 21x29.7cm	kg	1pcs	kg	5x40x90cm	0.018m ³	SL
C-16	A3(A4)	29.7x42cm 21x29.7cm	kg	50pcs	kg	24x34x86cm	0.070m ³	SL

Our products keep upgrading. Rights to change parts reserved.