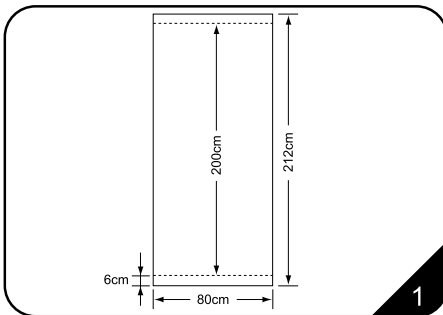


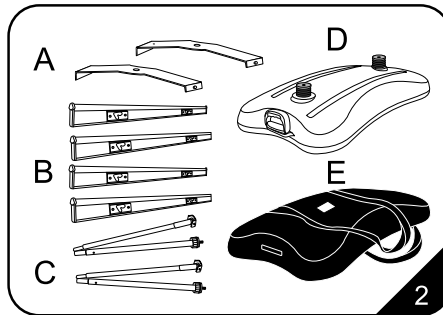
INSTALLATION STEPS 10.09

C-15F

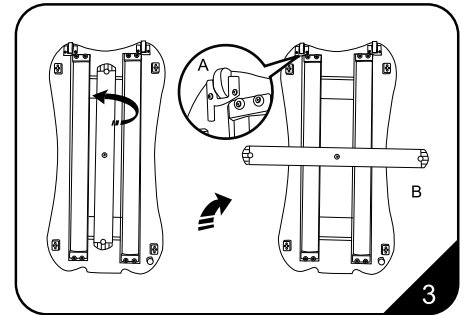
Modern appearance, stable quality, practicability & multiformity
Package available as accessories



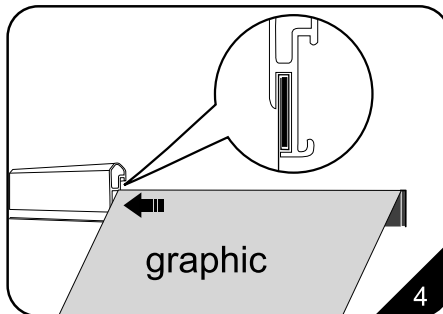
1. The overall dimension of the graphic is 80cm (wide) x 226cm (high). The visible overall height of the graphic is 80cm (wide) x 200cm (high). Please allow extra length for graphic insertion.



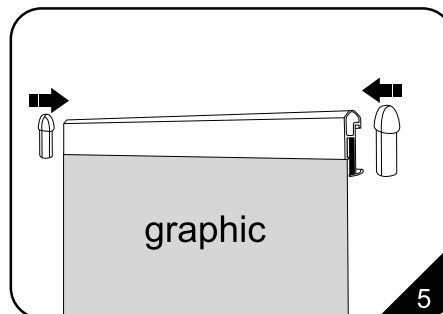
2. A. Reed 2 pcs B. Profile 4 pcs
 C. Telescopic pole 2ps D. Water base 1pc
 E. Nylon Bag 1pc



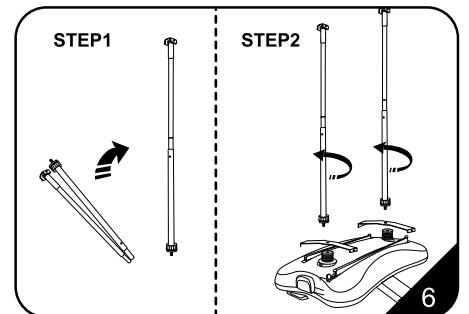
3. A. Trolley wheel B. Folded foot
 Unfold B to make the stand stable.



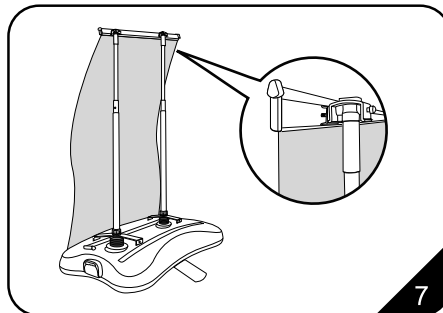
4. Take out the plastic piece from upper profile, and glue with the graphic. rotate 360 then insert into the profile as per above pic.



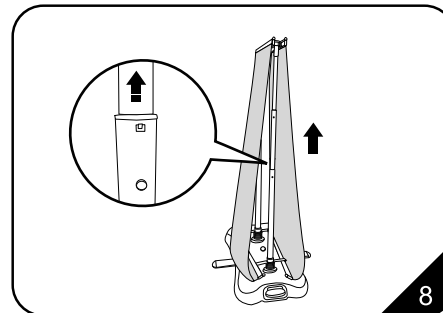
5. Graphic needs to be corresponded with the profile.



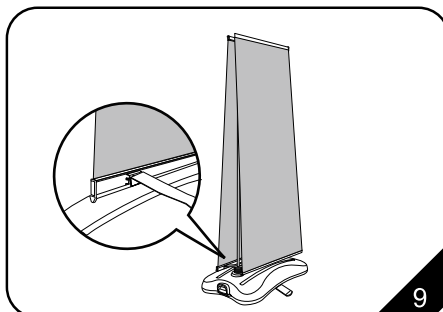
6. Unfold the pole and slip the pieces together to assemble it to a rigid pole. Attach vertical poles to the spring by screwing tightly, put warheads outward.



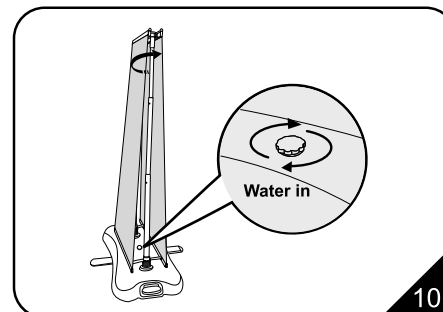
7. Aim two connectors in upper profile at gourd hole in pole holder, shift to the right 7 hole, then raise till warhead out, advise to be operated by two person.



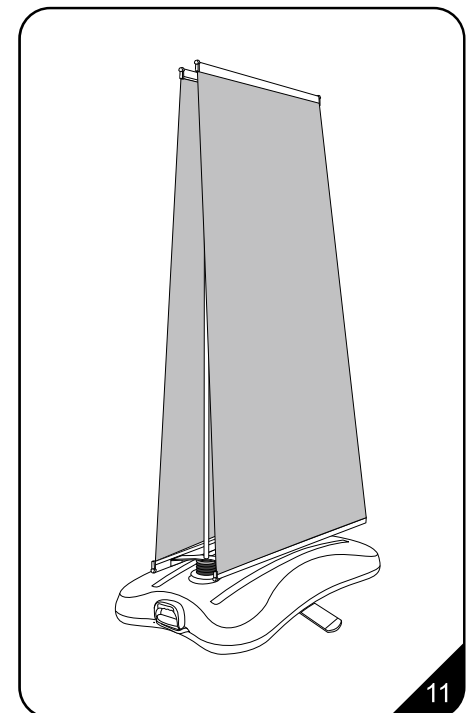
8. Raise the middle pole to the highest point, advise to be operated by two person.



9. Lift reed at full tilt, aim warhead in reed at gourd hole in graphic clip, then shift to the right 7 hole. Need four times installation.



10. The graphic can be tightened by adjusting the pole, Then inject water into water base, can drag the handle easily to any fountain reachable.



11. Complete Installation.



CAUTION:
PLEASE READ THE INSTRUCTIONS BEFORE INSTALLING PRODUCT