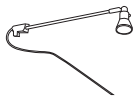


# INSTALLATION STEPS 10.09

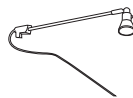
# YC-L5B1/B2

Modern appearance, stable quality, practicability & multiformity  
Package and spotlight are available as accessories

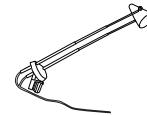
## Optional accessories



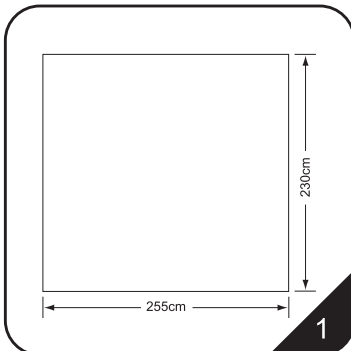
C-D1/D2  
Voltage: 110V/220V  
CE certified.  
Fit for all models.  
Color: Black / Silver



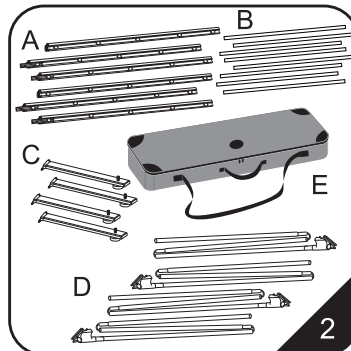
C-D1-LED/C-D2-LED  
Voltage: 110V/220V  
CE certified.  
Fit for all models.  
Color: Black / Silver



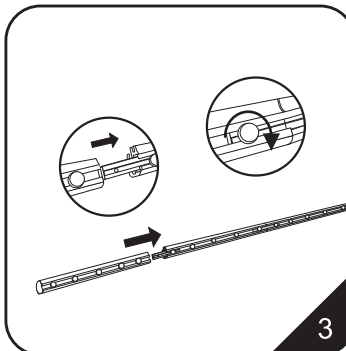
C-D11/D12  
Fit for all models.  
Color: Black / Silver



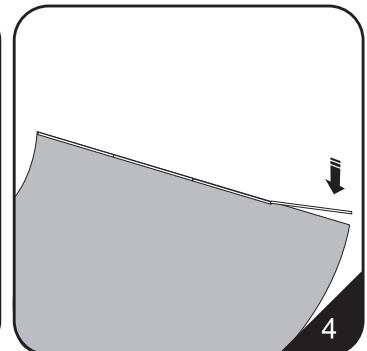
1. The overall graphic is 255cm (wide) and 230cm (high).



2. The package contain:  
A: Graphic rails      B: Insert type  
C: Foot                D: Three-fast-pole  
E: Grey hardbag

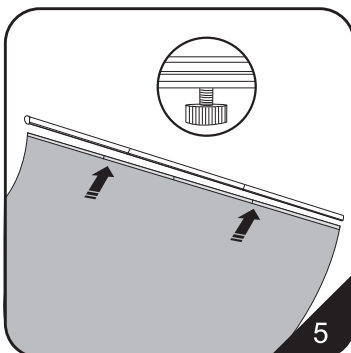


3. Connect the rails by screws.

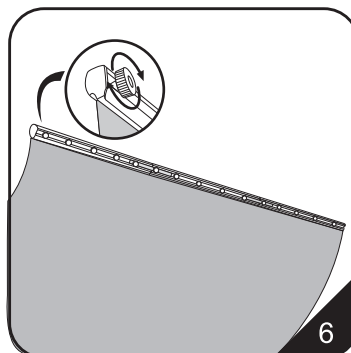


4. Remove the double side glue in the insert quickset, stick 4 of them to the backside four sides of the graphic.

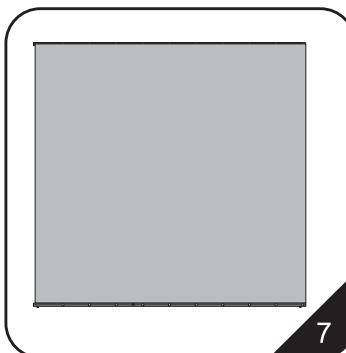
**!** Our size in the Manual is just a reference. Please make the graphic according to your actual purchased size.



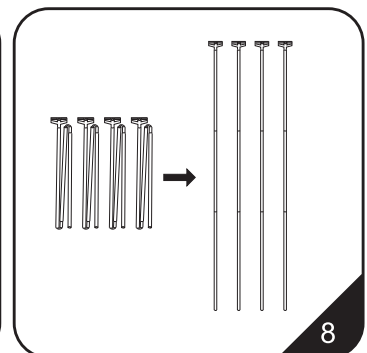
5. Put the insert quickset into the graphic rails (Notice: Make sure that the graphic rails with the adjusting screws at the bottom).



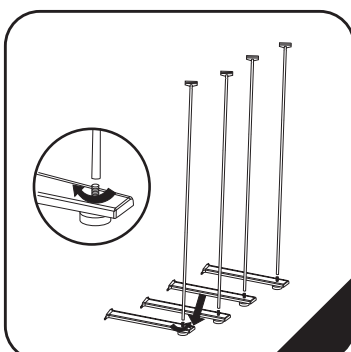
6. Screw down the screws in the backside of the rails, make sure the rails clamp the quickset.



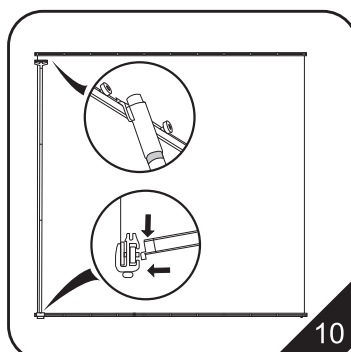
7. Assemble the graphic.



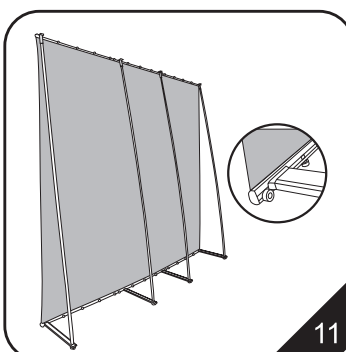
8. Assemble the poles.



9. Connect to the feet with the screws.



10. Assemble the vertical pole with the top rails (Notice: make sure the rails with adjusting screw is at bottom).



11. That is all.



**CAUTION:**  
PLEASE READ THE INSTRUCTIONS BEFORE INSTALLING PRODUCTS