

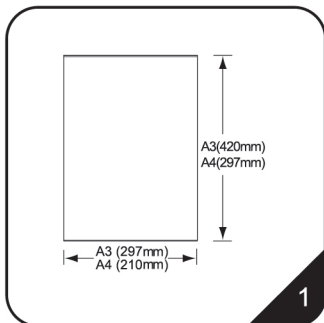
# INSTALLATION STEPS 10.09

K-1M

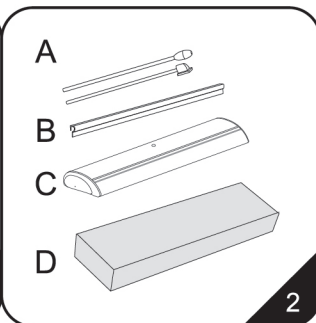
K-2M

14A

Mini Roll up, exquisite appearance, imperial desk decoration



1. The overall width of stand is A3(A4)(width) x A3(A4)(height).



2. The case should contain:

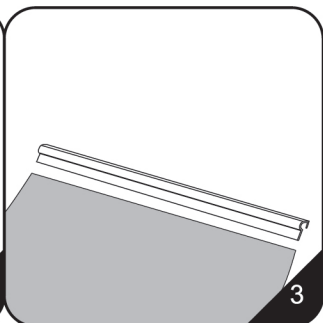
Installation instruction

A. vertical pole

B. upper banner attaching beam

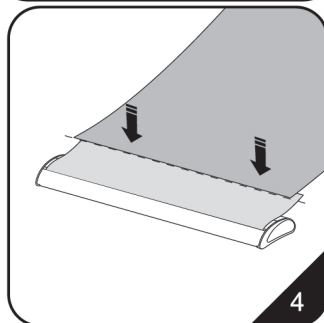
C. a base unit

D. colored carton box

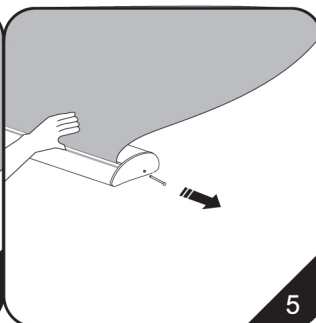


3. Stick the graphic to the upper beam.

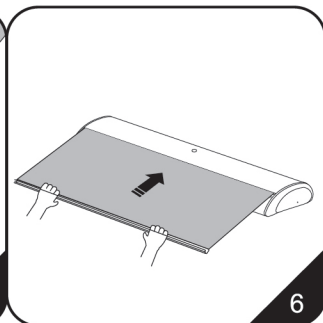
**!** Our size in the manual is just a reference. Please make the graphic according to your actual purchased size.



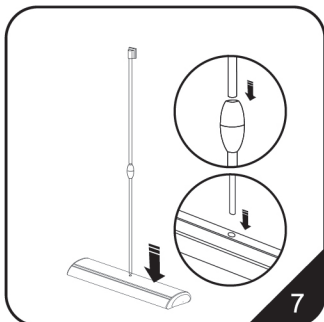
4. Peel off the adhesive paper along the edge of the base's leader roll and attach the bottom of the banner. Make sure the banner is straight.



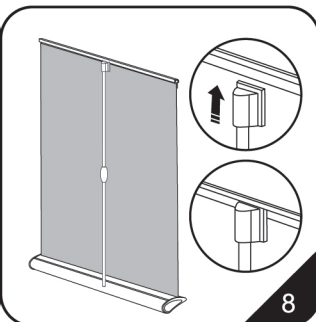
5. Hold the graphic and remove the pin aside.



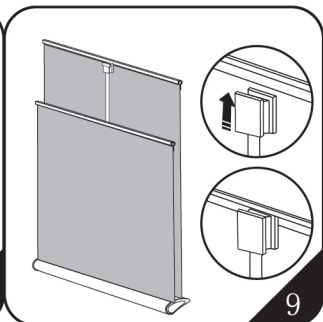
6. Hold the graphic and allow it to recoil into the base unit.



7. Join the poles and insert into the hole on the base.



8. Lift the graphic and make it fixed onto top of the pole.



HK-2M

NEXT PAGE



CAUTION:

PLEASE READ THE INSTRUCTIONS BEFORE INSTALLING PRODUCTS