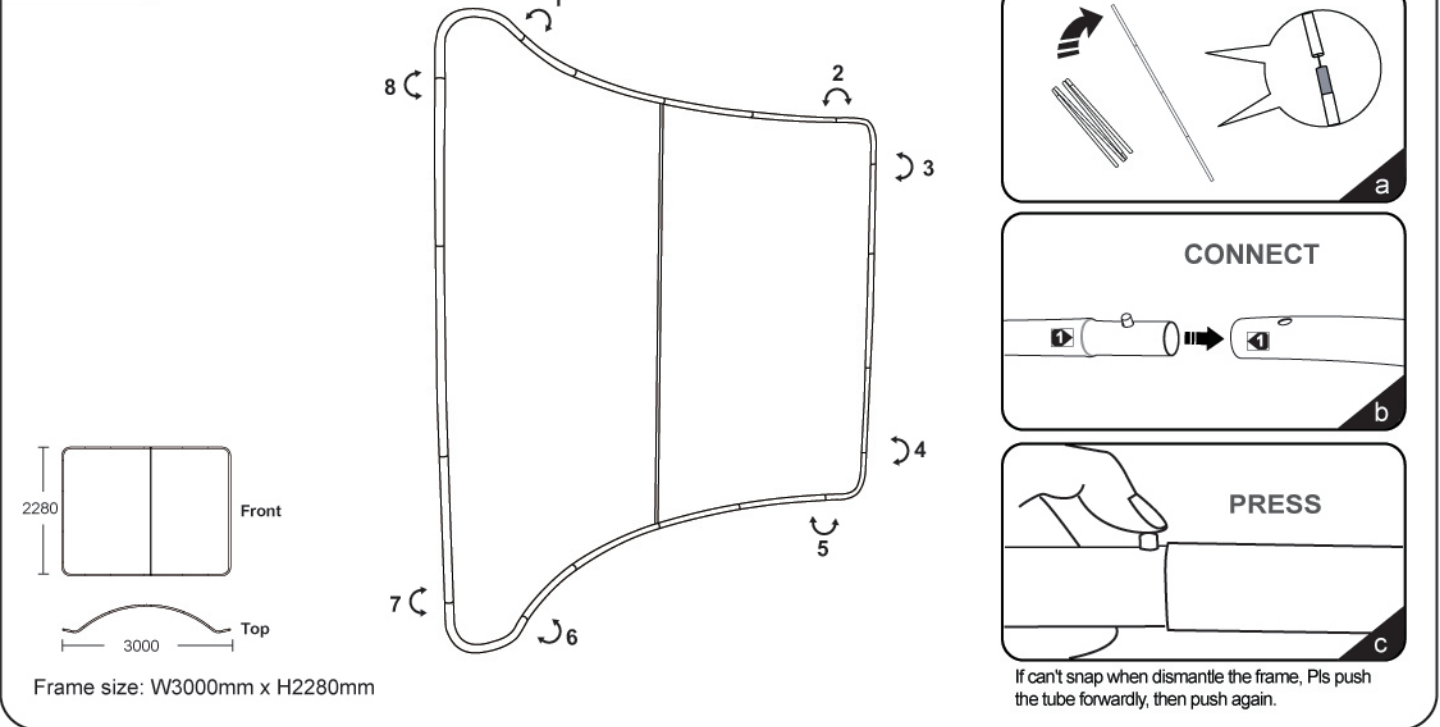


# INSTALLATION STEPS

# 3D-112

**Modern appearance, stable quality, practicability & multiformity**  
**Package and spotlight are available as accessories**

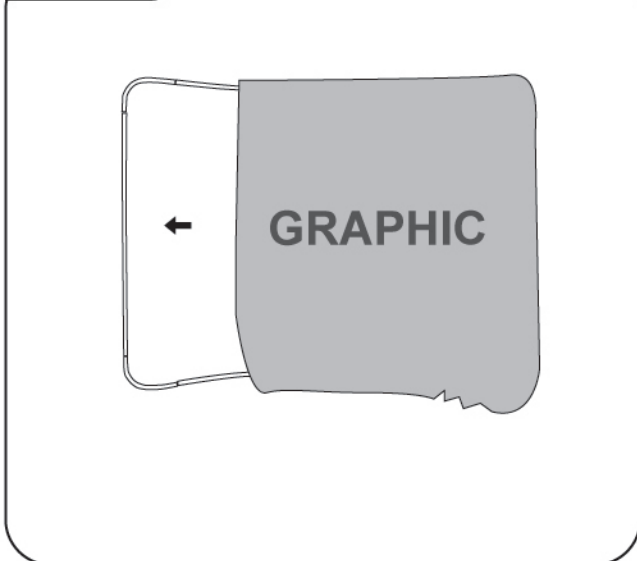
## STEP 1



Frame size: W3000mm x H2280mm

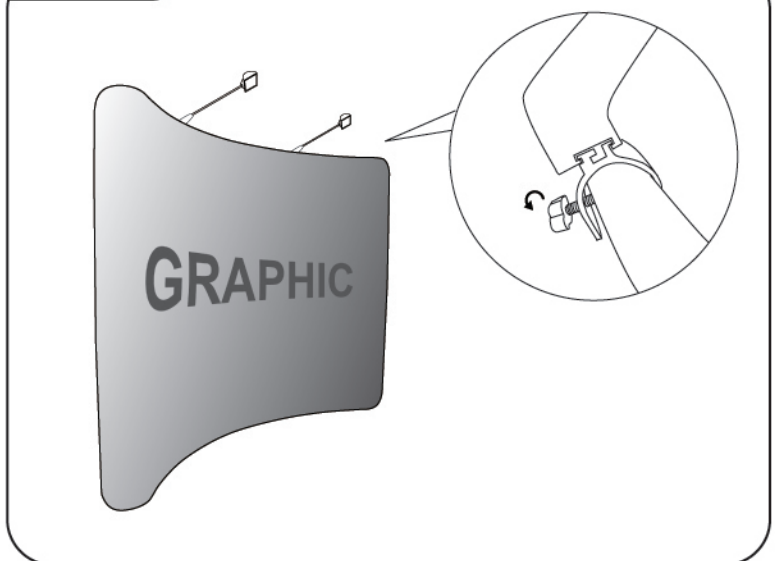
If can't snap when dismantle the frame, Pls push the tube forwardly, then push again.

## STEP 2



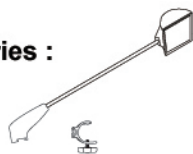
**GRAPHIC**

## STEP 3



**GRAPHIC**

Optional accessories :



C-D8-1  
 Voltage: 110V/220V  
 CE certified. Fit on all models.  
 Color: Silver



**CAUTION:**  
**PLEASE READ THE INSTRUCTIONS BEFORE INSTALLING PRODUCTS**