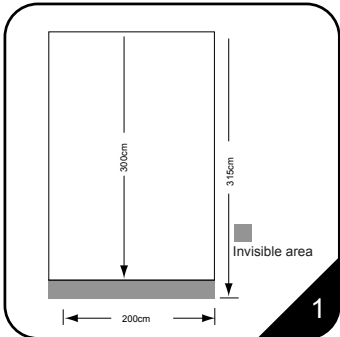


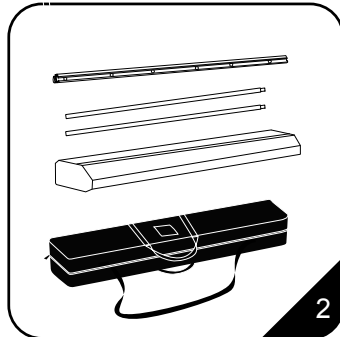
# INSTALLATION STEPS 10.09

## Q-1H

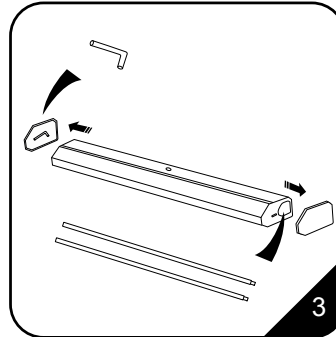
**Modern appearance, stable quality, practicability & multiformity**  
**Package and spotlight are available as accessories**



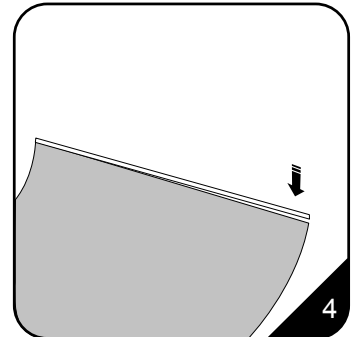
1. The overall dimension of the stand is 200cm (wide) x 315cm (high). The visible overall height of the graphic is 200cm (wide) x 300cm (high). Please allow extra length for graphic insertion.



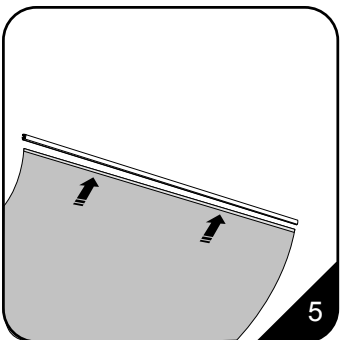
2. The case should contain a base unit, two telescopic poles and upper banner.



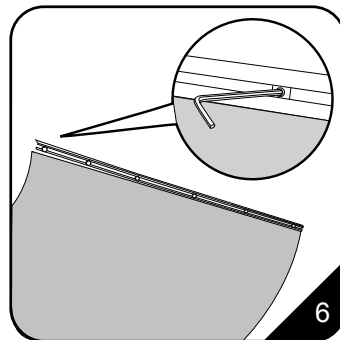
3. Peel off the cover. You'll get a screwdriver in the cover and two telescopic pole in the base unit.



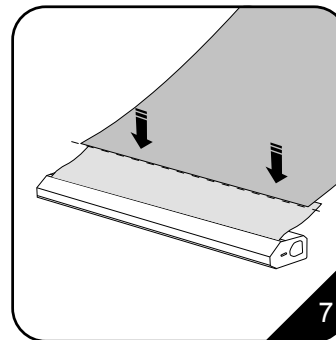
3. Paste aluminum bars one by one upon the upper and down edges of the graphic as the pic showing.



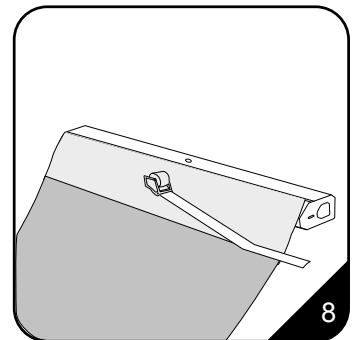
5. Insert the aluminum bars into the attachment beam .



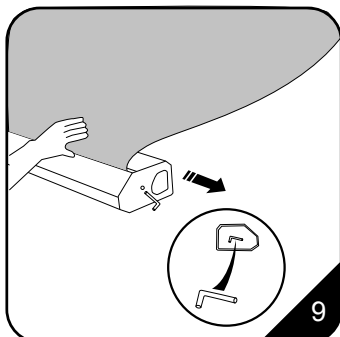
6. Make sure all the screws have been swung out, as the pic show.



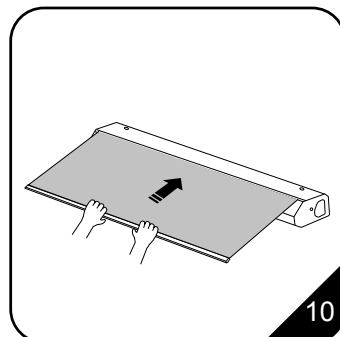
7. Peel off the adhesive cover along the edge of the base's leader roll, and attach the bottom of the banner (front facing up). Make sure the banner is straight.



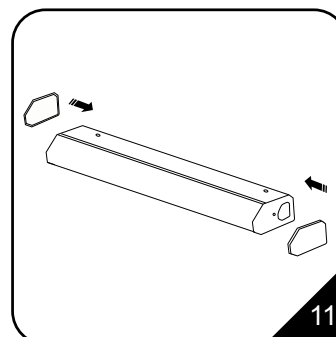
8. Finish securing the banner to the leader with a strip of wide (1 1/2" or equiv.) packing tape along the inside of the edge.



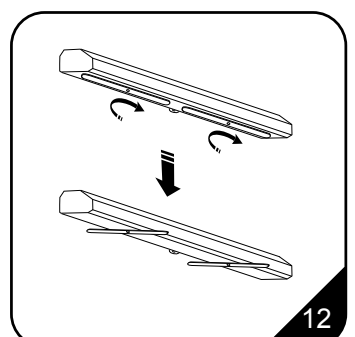
9. Peel off the cover, remove the screw underneath the chrome end of the base and detach. Then, with the graphic held firmly, carefully pull out the retaining pin, then put it into the cover.



10. Carefully allow the graphic to recoil into the base unit (it may be useful to have an assistant hold the base steady).



11. Reattach the chrome ends.

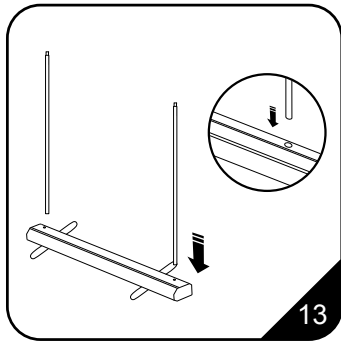


12. Two revolving feet to strengthen stability.

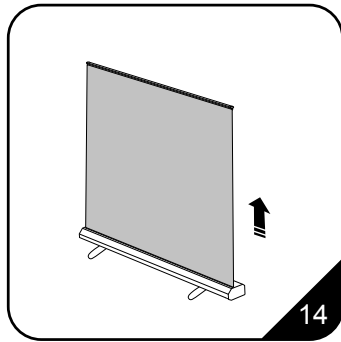


**CAUTION:**  
**PLEASE READ THE INSTRUCTIONS BEFORE INSTALLING PRODUCT**

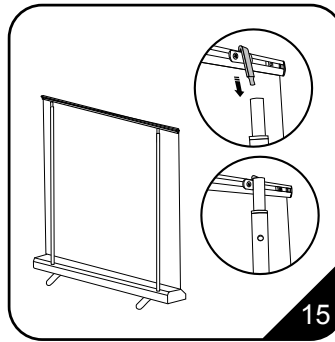
## The follow steps account for set-up Q-1H after completing 1-12



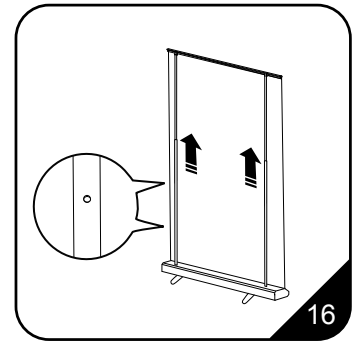
13. The bottom of the assembled pole slides into the round socket in the base unit.



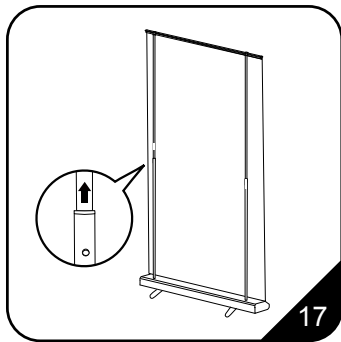
14. Unfurl the banner out of the base, suggest handling by tow person.



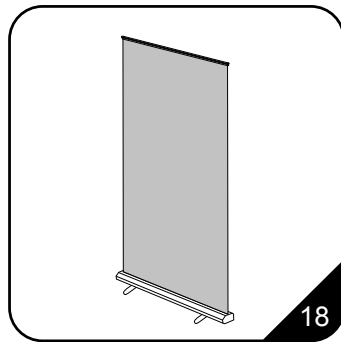
15. Insert hook into pole on top.



16. Raise the upper pole.

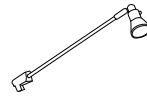


17. Raise the upper pole to the highest place.



18. Complete installation.

### Optional accessories



C-D1/C-D2  
Lights are either 110V or 220V  
(Voltage), these are CE certified  
and able to fit on all models.  
Colour:Black/Silve