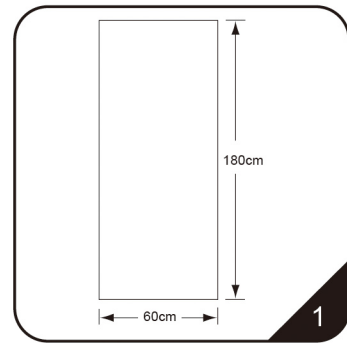


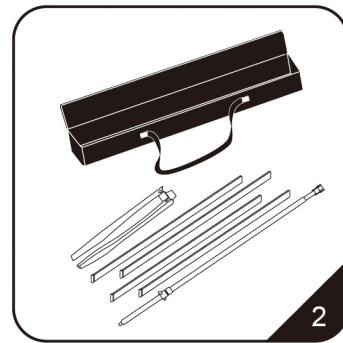
INSTALLATION STEPS 09.03

C-8A

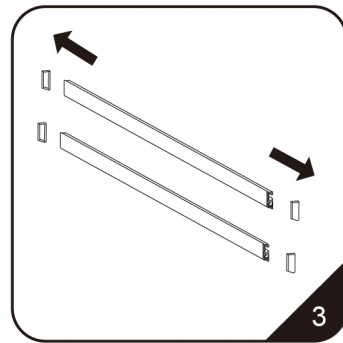
Modern appearance, stable quality, practicability & multiformity



1. The roll is 60cm wide 180cm high.

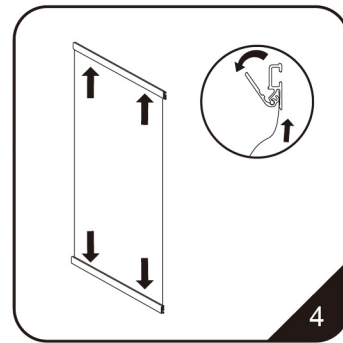


2. The case should contain a base unit, a telescopic pole and 4 beams.

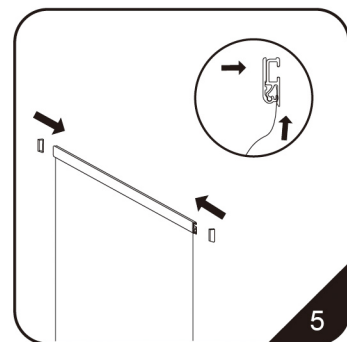


3. Remove the plastic end caps from the upper and bottom beams.

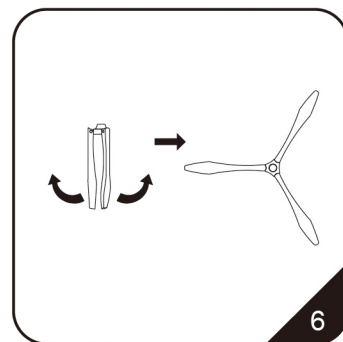
⚠ The material thick should be between 0.2~0.4mm.



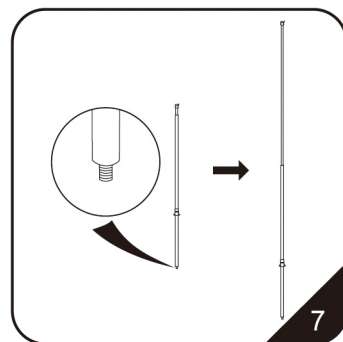
4. Swing open the beam's locking lip in order to attach the top & bottom edge of the banner. (Make sure the front of the banner is on the same side as the lip).



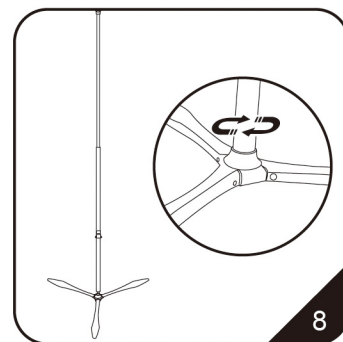
5. Slide the top banner edge under the lip. (if should go in about 3/8".....)



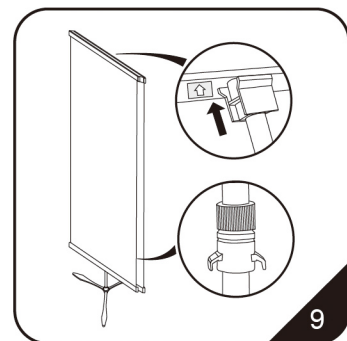
6. Unfold the base unit, as the pic. Showing.



7. Extend the top part from the telescopic pole.



8. Tighten the whole pole to the base unit.



9. The hook at the top of the pole slips into the rear slot of the banner beam. The arrow on the beam indicates the centre. Meanwhile catching the bottom beam to the down plastic part of the pole. (same process for another side).

NEXT PAGE

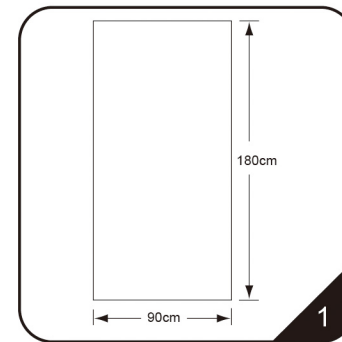


CAUTION: PLEASE READ THE INSTRUCTIONS BEFORE INSTALLING PRODUCTS

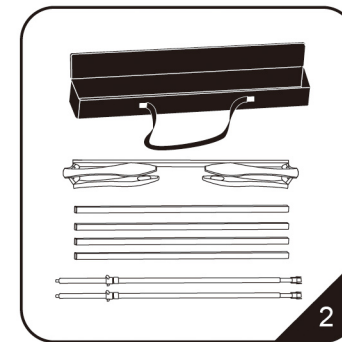
INSTALLATION STEPS 09.03

C-8B,8C

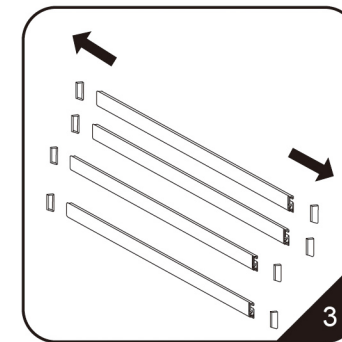
Modern appearance, stable quality, practicability & multiformity



1. The roll is 90cm wide 180cm high.

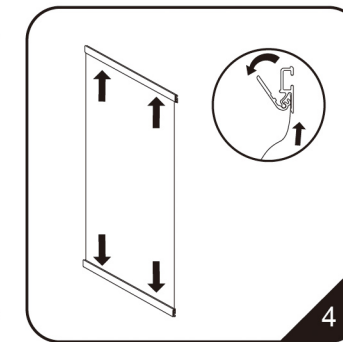


2. The case should contain a base unit, a telescopic pole and 4 beams.

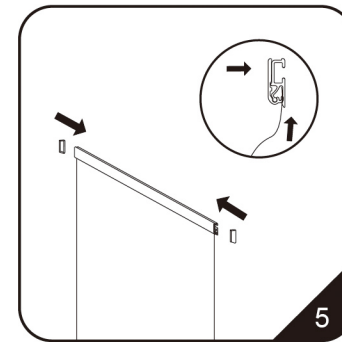


3. Remove the plastic end caps from the upper and bottom beams.

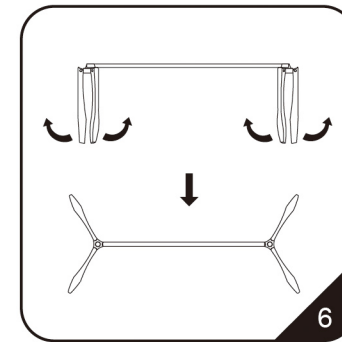
⚠ The material thick should be between 0.2~0.4mm.



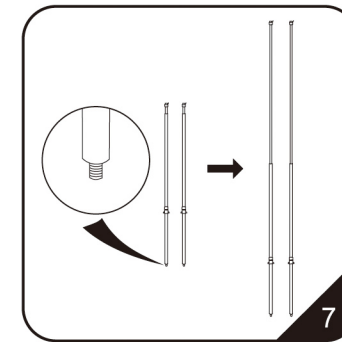
4. Swing open the beam's locking lip in order to attach the top & bottom edge of the banner. (Make sure the front of the banner is on the same side as the lip).



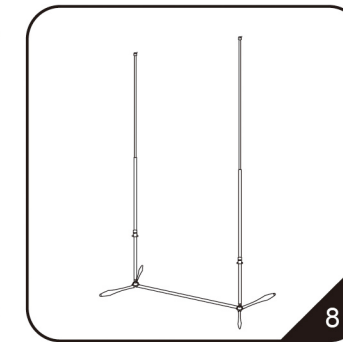
5. Slide the top banner edge under the lip. (if should go in about 3/8".....)



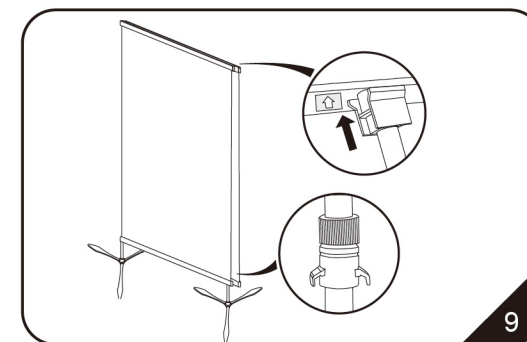
6. Unfold the base unit, as the pic. Showing.



7. Extend the top part from the telescopic pole.



8. Tighten the whole pole to the base unit.



9. The hook at the top of the pole slips into the rear slot of the banner beam. The arrow on the beam indicates the centre. Meanwhile catching the bottom beam to the down plastic part of the pole. (same process for another side).

THE FOLLOWING STEPS ACCOUNT FOR C-8C

