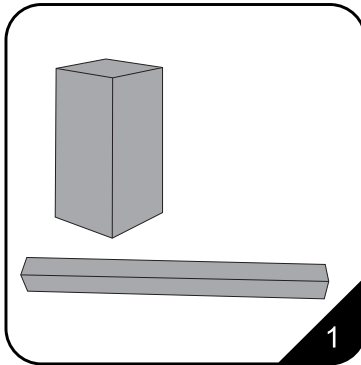


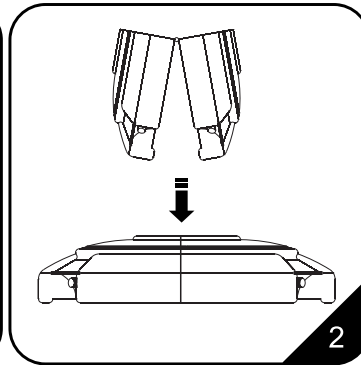
INSTALLATION STEPS 10.09

C-6A

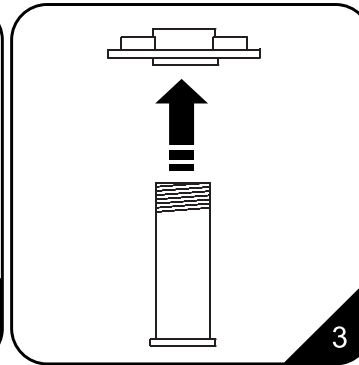
Modern appearance, stable quality, practicability & multiformity



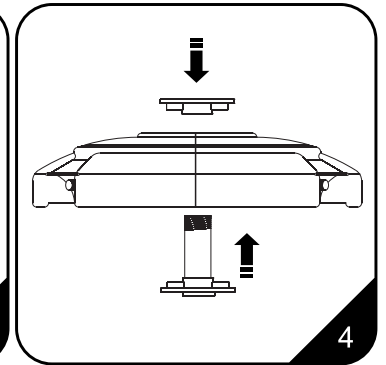
1. The whole product has two packages.



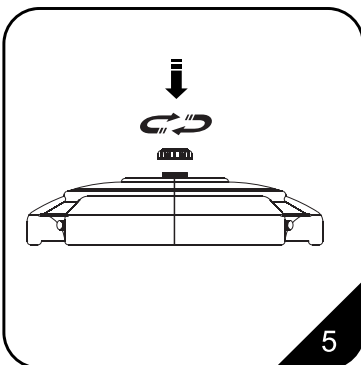
2. Unfold the base tank.



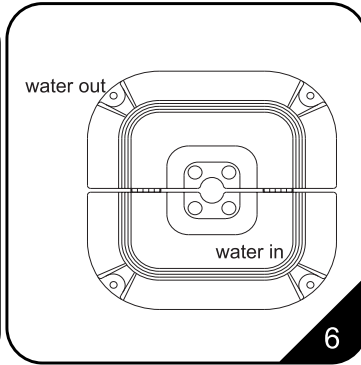
3. Fix the bottom connection-unit with orientation dowelling.



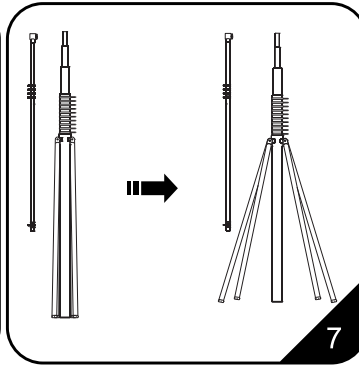
4. Assemble the upper connection-unit, unfolded-base and section (as step-3) together.



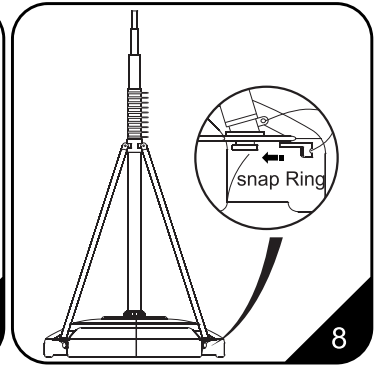
5. Fix the orientation nut against base.



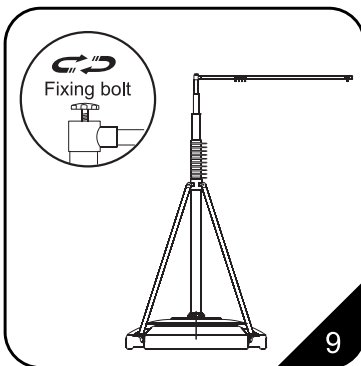
6



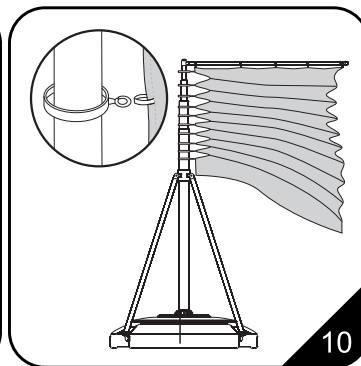
7. Detach the four support pole.



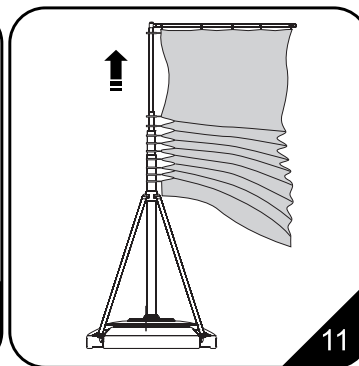
8. Make sure that the four support pole can be fixed at the base.



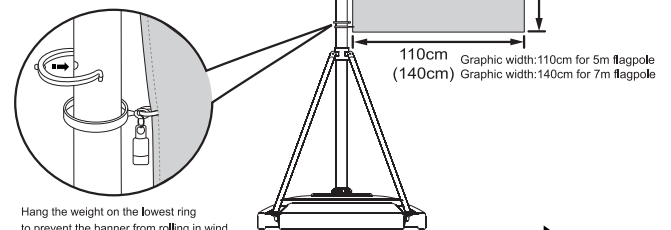
9. Connect the horizontal-pole and vertical-pole with the upper-screw.



10. Every hook with the banner should be hitched against the vertical-pole.



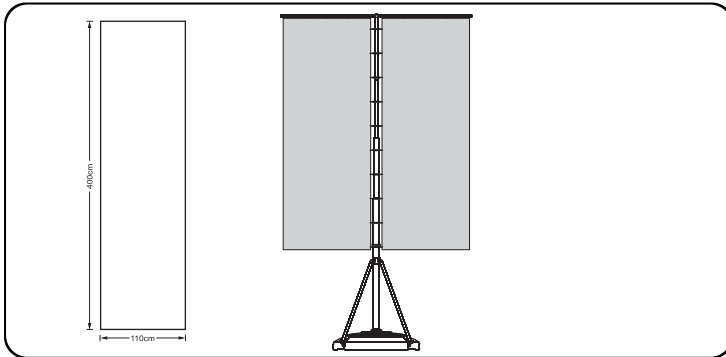
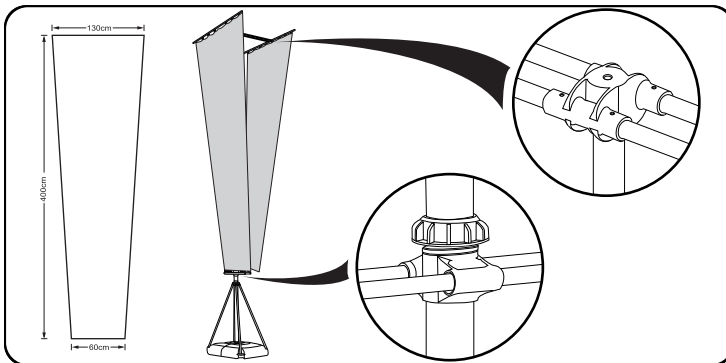
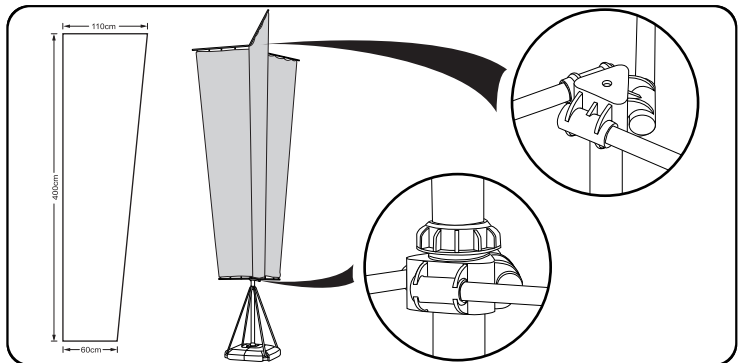
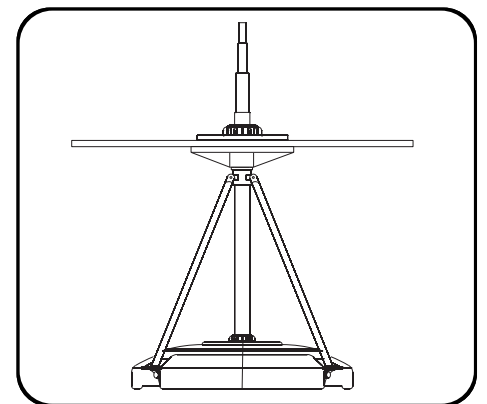
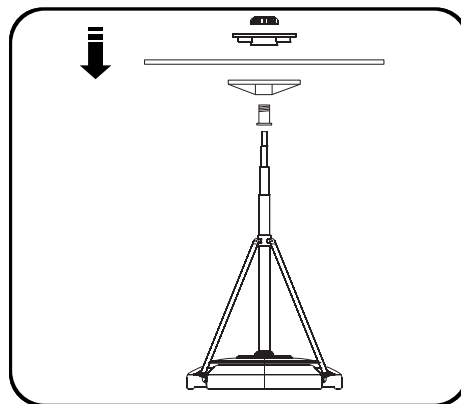
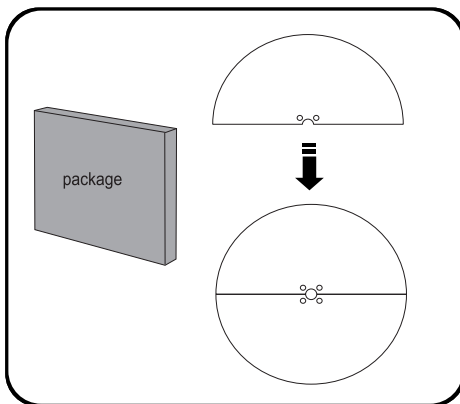
11. Hoist the vertical-pole then spread the banner.



NEXT PAGE



CAUTION:
PLEASE READ THE INSTRUCTIONS BEFORE INSTALLING PRODUCTS

C-6A1**C-6A2****C-6A3****Model B: Table Installation****Precautions!**

1. Follow installation manual and use only for banner hanging.
2. Fill-up the water tank and maintain the level.
3. Empty the water tank when moving.
4. Slide the pole slowly when you draw it back or the rail inside the pole might break.
5. Notice: 6-month-warranty except in case of malfunction by careless handling.
6. Avoid frozen water in the base tank in winter.
7. Product components are subject to change without notice.