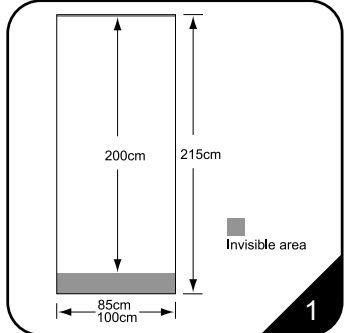


# INSTALLATION STEPS 10.09

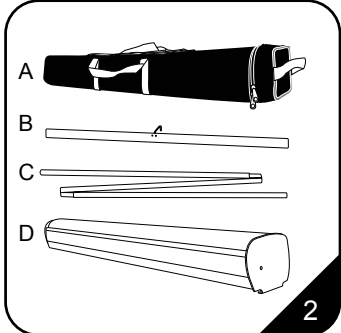
## C-3

**Modern appearance, high quality, practical, flexible for multiple uses. Carry cases and spotlights are available as accessories. Fast and easy to alter graphics.**

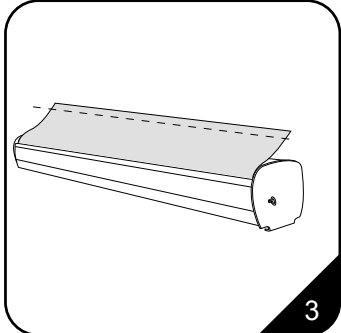


1. The overall width of stand is 85cm or 100cm, height is 215cm, the visible graphic height is 200cm.

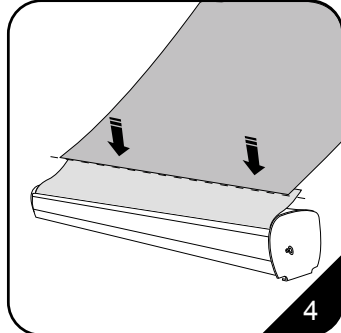
**⚠ Our size in the manual is just a reference. Please make the graphic according to your actual purchased size.**



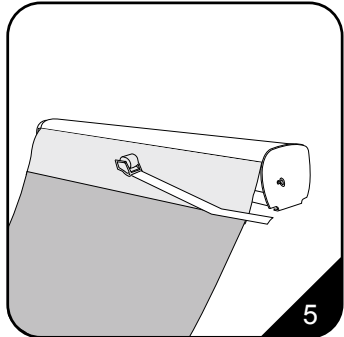
2. The case should contain: Installation instruction  
A. Black bag B. Top bar  
C. 3-piece pole D. A base unit



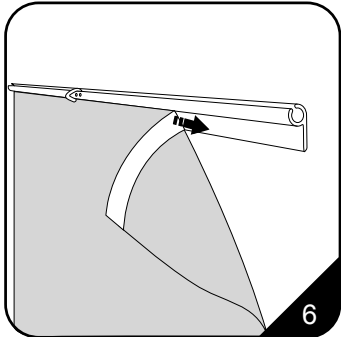
3. Make sure the illustration paper straight.



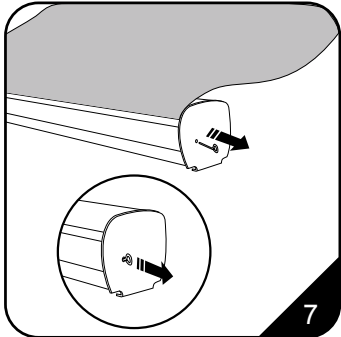
4. Peel off the adhesive cover along the edge of the base's leader roll, and attach the bottom of the graphic (front facing up).



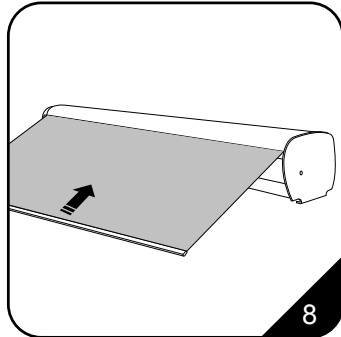
5. Secure the graphic to the leader with a transparent adhesive tape at least 4cm wide both sides.



6. Attach the top edge of the graphic to the top rail to secure the banner.

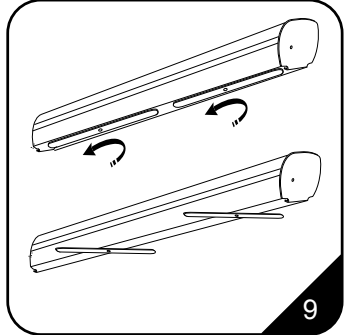


7. With the graphic held firmly, carefully pull the pin.

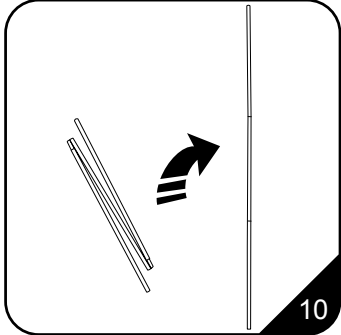


8. Carefully allow the graphic to the recoil into the base unit.

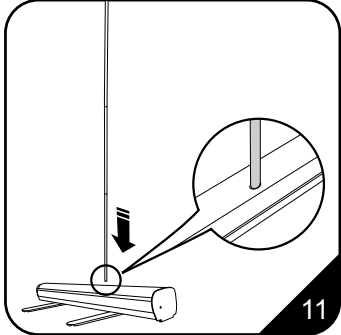
**⚠ Please use paper graphic, Fabric will affect the conglutination.**



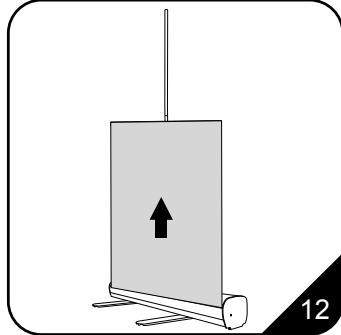
9. Swing the two feet by 90°.



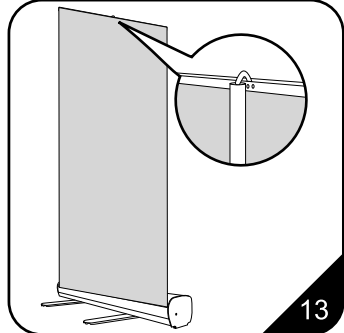
10. The hooked end corresponds to the top and the round end belongs to the bottom base.



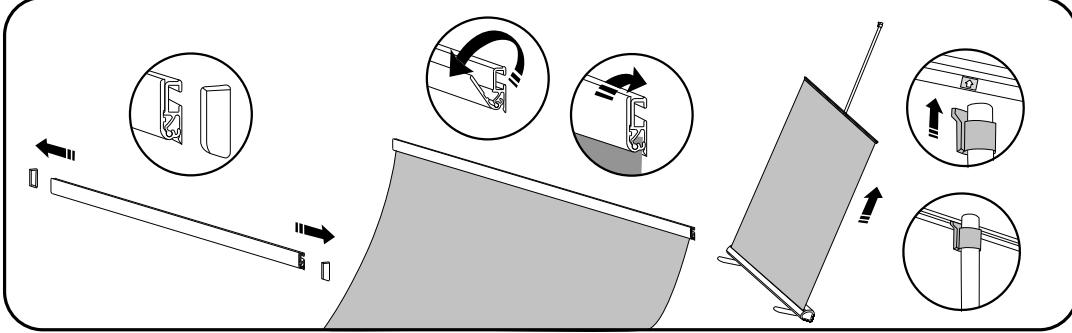
11. Insert the bottom of the pole into the base hole.



12. Hold the pole firmly and unfurl the graphic out of the base unit.



13. Slide the hook of the top rail to the top of the pole.



R2 Rail is optional

**NEXT PAGE**

**⚠ CAUTION: PLEASE READ THE INSTRUCTIONS BEFORE INSTALLING PRODUCTS**

Our products keep upgrading. Rights to change parts reserved.