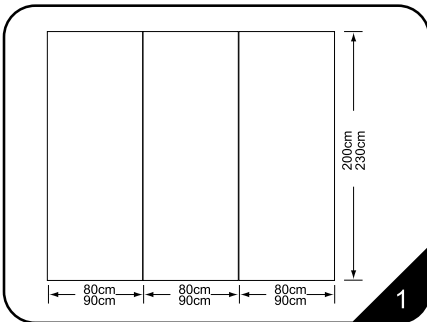


INSTALLATION STEPS 10.09

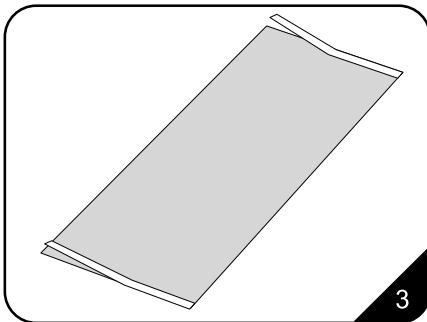
C-L5F

Modern appearance, stable quality, practicability & multiformity



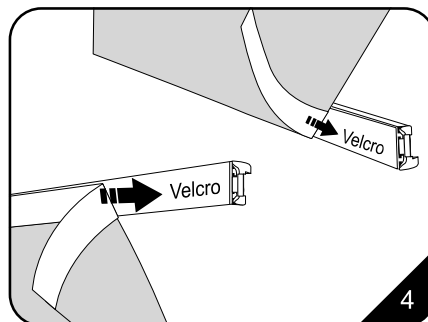
1. The graphic size is 200cm (High) x 80cm (Wide) x 3 as per the Picture.

! Our size in the INSTRUCTION MANUAL is just a reference. Please make the Graphic according to your actual purchase size.

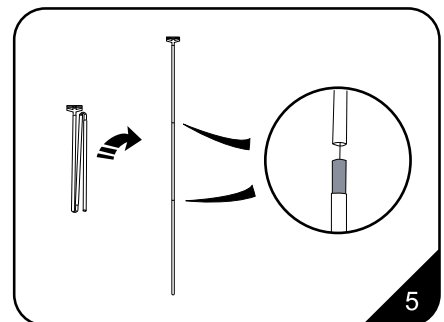


3. Glue the Velcro to the top & bottom Graphic.

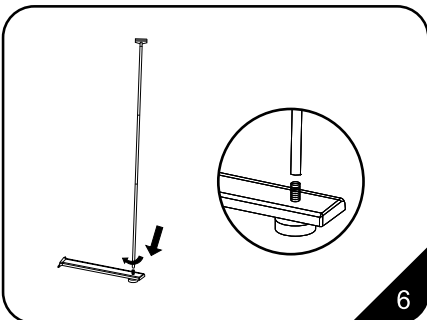
! Please use paper graphic, Fabric will affect the conglutination.



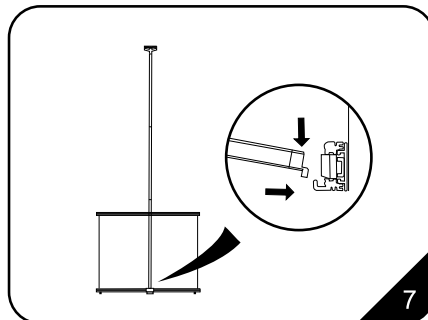
4. Make the Graphic gluing with velcro inosculate the velcro mount the finished velcro graphic to the rail.



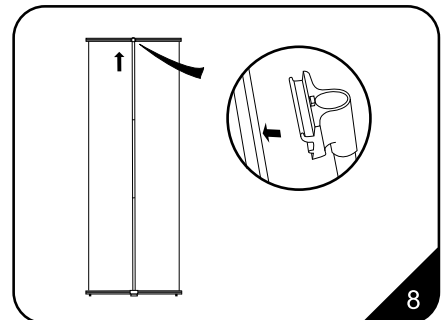
5. Unfold the 3-piece-pole.



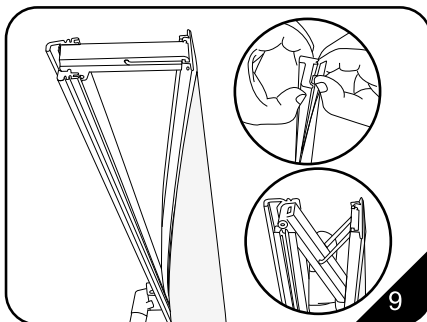
6. Insert the 3-piece-poles into the hole of the base, then fix the other end of the base, unit Connect the two bases unit with a pole.



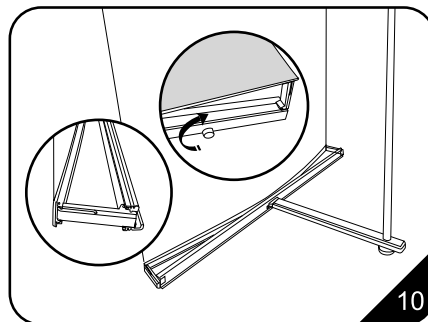
7. Fix of the bottom pole with the special unit then spread the graphic to the top of the 3-piece poles.



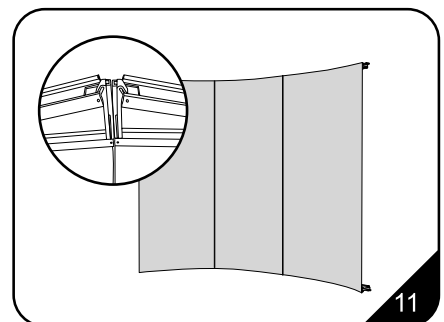
8. The hook at the top of the pole slips into the rear slot of the banner beam. A marker on the beam indicates the beam's centre where the pole should be inserted.



9. Open the top rail cover to MAX extent.



10. Open the bottom rail cover to MAX extent.



11. Complete installation.



CAUTION:
PLEASE READ THE INSTRUCTIONS BEFORE INSTALLING PRODUCT