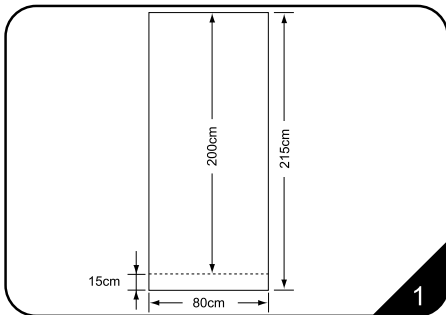


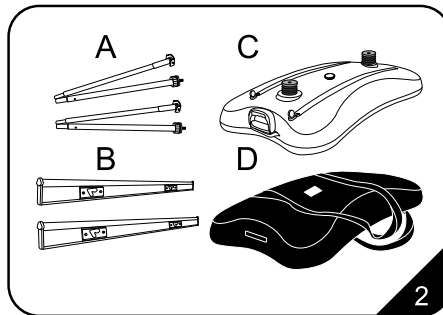
# INSTALLATION STEPS 10.09

## C-15E

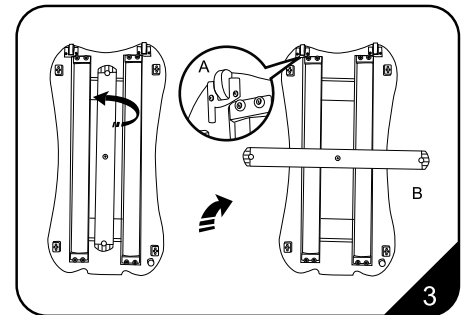
**Modern appearance, stable quality, practicability & multiformity**  
**Package available as accessories**



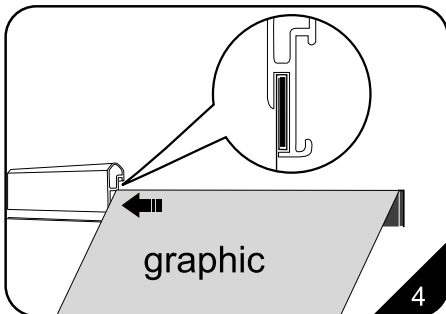
1. The overall dimension of the graphic is 80cm (wide) x 215cm (high). The visible overall height of the graphic is 80cm (wide) x 200cm (high). Please allow extra length for graphic insertion.



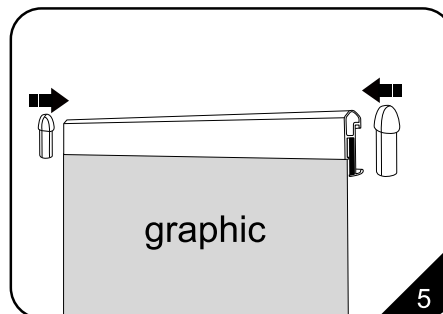
2. A. Telescopic pole 2pcs B. Upper profile 2pcs  
 C. Water base assembly 1pc D. Nylon bag 1pc



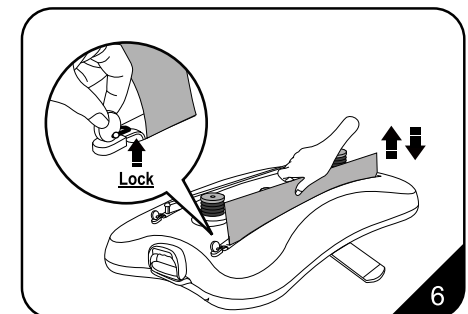
3. A. Trolley B. Folded foot  
 Unfold B to make the stand stable.



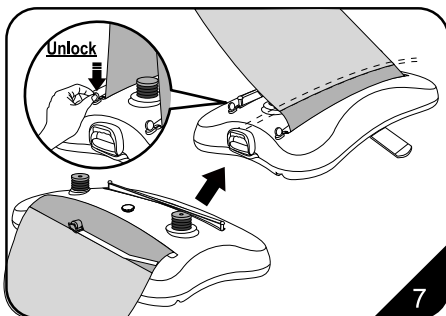
4. Take out the plastic piece from upper profile, and glue with the graphic, rotate 360 then insert into the profile as per above pic.



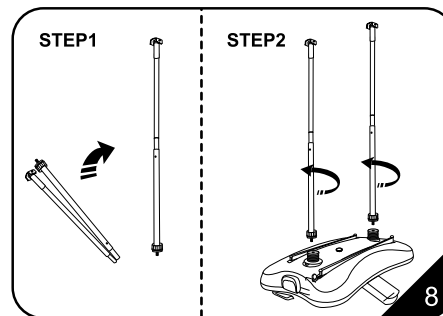
5. Graphic needs to be corresponded with the profile.



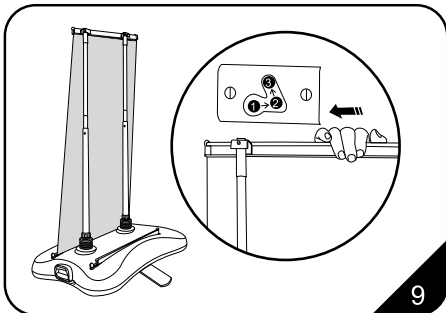
6. Pull the leading paper while lifting handle to lock in position.



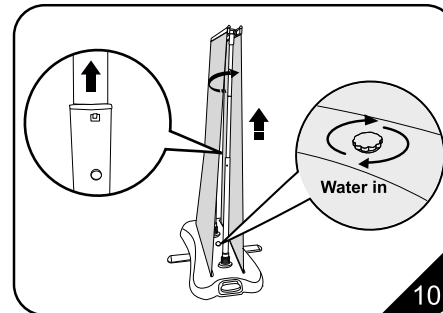
7. Adhere graphic to 3M on leading paper smoothly, then stick all around by transparent tape, then lift graphic and unlock by pressing the handle for rolling up graphic.



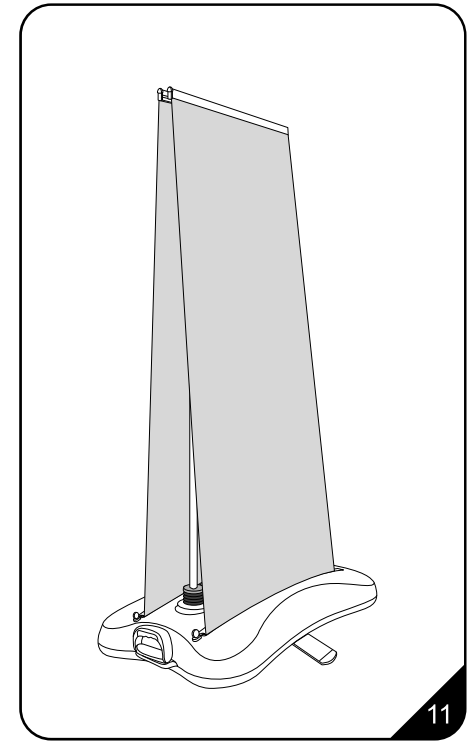
8. Unfold the pole and slip the pieces together to assemble it to a rigid pole. Attach vertical poles to the spring by screwing tightly, put warheads outward.



9. Aim two connectors in upper profile at gourd hole in pole holder, shift to the right 7 hole, then raise till warhead out, advise operated to be by two person.



10. Raise the middle pole to the highest point, The graphic can be tightened by adjusting the pole, Then inject water into water base.



11. Complete installation.



**CAUTION:**  
**PLEASE READ THE INSTRUCTIONS BEFORE INSTALLING PRODUCT**